

## UNIJIN® INDUSTRIAL BI-METAL THERMOMETER (BACK)

### Model : T110

T110 models are designed for use for direct indicating and measuring temperature in various industrial plants such as oil refinery, sugar refinery, chemical and rubber plant, food industries, refrigeration, process, engineering, general industry and etc. Pocket Thermowell must be used on all applications where thermometer bulb sensor is subjected to pressure, corrosive fluid or flow rate. Thermowell will make thermometer disassemble for calibration or replacement easier as the process will not disturbed.



### Standard Specification

#### Dial Size

63, 75, 100, 150mm

#### Connection

63, 75mm : 3/8" BSPT  
100, 150, 200mm : 1/2" BSPT

#### Scale Range ( °C & °F)

-50 ~ 50 °C to -50 ~ 100 °C,  
-30 ~ 50 °C to -30 ~ 120 °C,  
-20 ~ 50 °C to -30 ~ 150 °C,  
0 ~ 50 °C to 0 ~ 500 °C

#### Working Range

Max 100% of Full Scale

#### Accuracy

± 2.0% of Full Scale

#### Zero Adjustment

At back case or at pointer

#### Material

Case & Cover : 304SS  
Window : Glass  
Sensing Element : Coiled bimetallic  
Connection : 304SS  
Stem : 304SS, max 2000mm  
Stem OD : 6, 8, 10mm

### Thermometer Ordering Information

#### Model

T110

#### Dial Size

63, 75, 100, 150mm

#### Scale Range

#### Stem Length

63, 75, 100mm

#### Connection Type

3/8" BSPT

#### Options

Thermowell

### Example of Order

#### Model

T110

#### Dial Size

75mm

#### Range

0 ~ 100 °C

#### Stem Length

100mm

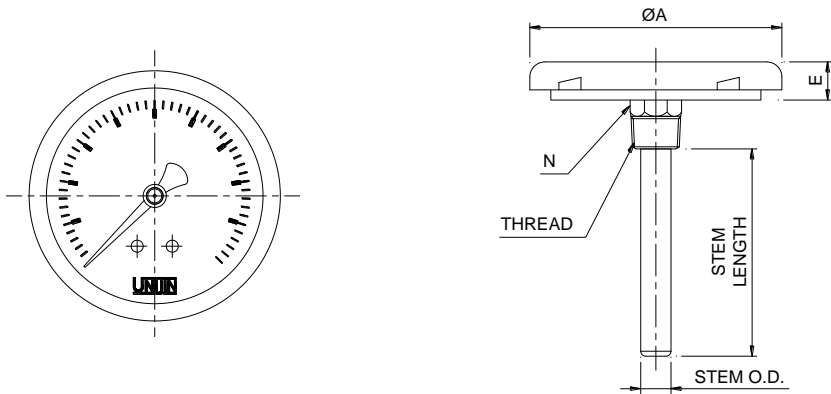
#### Connection

3/8" BSPT

#### Options

316SS Thermowell

**Basic Dimensions**



Unit : mm

	$\varnothing 65$	$\varnothing 75$	$\varnothing 100$	$\varnothing 150$
<b>A</b>	65.3	84.2	117.8	160.0
<b>E</b>	29.5	28.0	36.0	37.0
<b>N</b>	17.0	17.0	21.0	21.0