

# UNIJIN<sup>®</sup> INDUSTRIAL PRESSURE GAUGE

## Model : P252 (Dry) / P258 (Oil Filled)

P252 (Dry) & P258 (Oil Filled) with bayonet casing models are designed for corrosive environment which do not have high viscosity or do not crystallize. Typical applications include chemical, petrochemical, refining, marine, food industry and etc. Systems or equipment with pulsating pressure or mechanical shock & vibration are apparent, the oil filled model is recommended.



## Standard Specification

### Dial Size

63, 80, 100, 160 mm

### Scale Range (kgf/cm<sup>2</sup>, psi, bar, kPa, MPa)

63mm : -76cmHg ~ 0 to 0 ~ 700 kgf/cm<sup>2</sup>

80, 100, 160mm : -76cmHg ~ 0 to 0 ~ 1000 kgf/cm<sup>2</sup>

### Blow Protection

Back, Rubber Disc

### Degree Protection

IP 65 & IP 67

### Working Pressure

Steady : 75% of Full Scale

Over Range Protection : 130% of Full Scale

### Accuracy

63, 80mm : ± 1.6% of Full Scale

100, 160mm : ± 1.0% of Full Scale

### Working Temperature

Ambient : -20 ~ 60°C

Process : Max 200°C, -20 ~ 80°C for Oil Filled model

### Material

Case & Cover : 304SS

Window : Tempered Glass

Movement : 304SS

Element Tube : 316SS

Connection : 316SS

Oil Filling : Glycerin Oil / Silicon Oil

## Pressure Gauge Ordering Information

### Model

P252 / P258

### Mounting Type

A: Direct bottom connection

B: Bottom connection with surface mounting plate

G: Lower back connection

N: Lower back connection with panel mounting plate

### Dial Size

63, 80, 100, 160mm

### Scale Range

### Connection Type

1/4" BSPT, NPT, BSP

3/8" BSPT, NPT, BSP

1/2" BSPT, NPT, BSP

### Options

Oil Filled

Adjustable Pointer

### Example of Order

#### Model

P252

#### Mounting Type

(A)

#### Dial Size

100mm

#### Scale Range

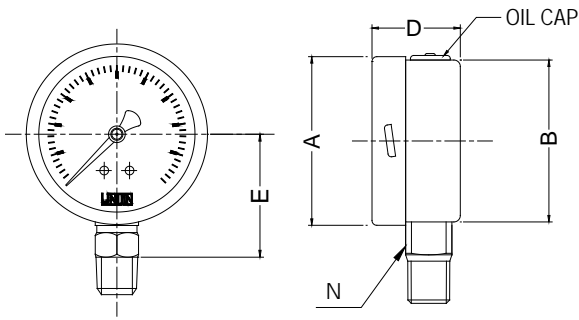
0~ 7 kgf/cm<sup>2</sup>

#### Connection

3/8" BSPT

## Basic Dimensions

### CODE A

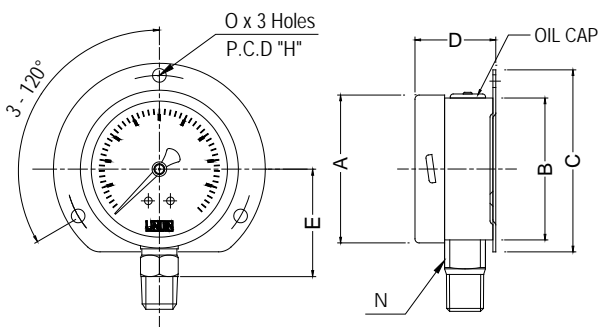


#### A: Direct bottom connection

Unit : mm

	ø 63	ø 80	ø 100	ø 160
A	64.0	81.2	100.6	160.6
B	62.0	78.5	98.6	159.0
D	32.7	39.5	49.5	52.5
E	41.0	50.5	65.0	94.0
N	14.0	17.0	22.0	22.0

### CODE B

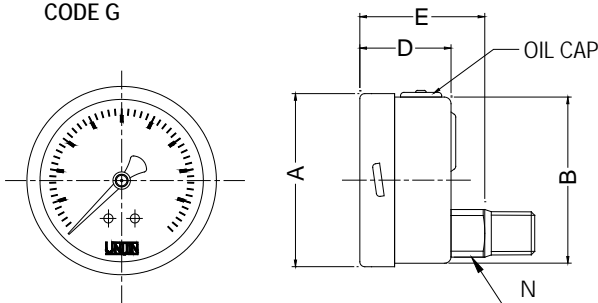


#### B: Bottom connection with surface mounting plate

Unit : mm

	ø 63	ø 80	ø 100	ø 160
A	64.0	81.2	100.6	160.6
B	62.0	78.5	98.6	159.0
C	79.0	108.0	122.0	196.0
D	35.7	43.0	53.3	56.0
E	41.0	50.5	65.0	94.0
H	78.4	95.0	117.5	178.0
N	14.0	17.0	22.0	22.0
O	4.3	5.0	6.0	6.0

### CODE G

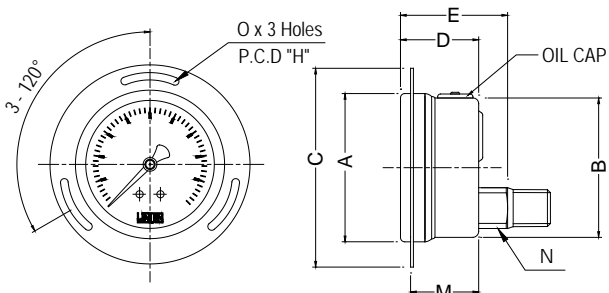


#### G: Lower back connection

Unit : mm

	ø 80	ø 100	ø 160
A	81.2	100.8	160.6
B	78.5	98.8	159.0
D	39.5	49.6	52.5
E	53.5	62.0	67.5
N	17.0	22.0	22.0

### CODE N



#### N: Lower back connection with panel mounting plate

Unit : mm

	ø 80	ø 100	ø 160
A	81.2	100.8	160.6
B	78.5	98.8	159.0
C	108.0	130.5	196.0
D	39.5	49.6	52.5
E	53.5	62.0	67.5
H	95.0	116.0	178.0
M	35.0	45.0	47.5
N	17.0	22.0	22.0
O	5.0	6.0	6.0