

UNIJIN® INDUSTRIAL BI-METAL THERMOMETER (BOTTOM)

Model : T120

T120 is used for measuring temperature of gas or fluid liquid. This is suitable for measurement, regulation and direct monitoring of the fluid, and meets the most stringent criteria on resistance to a corrosive atmosphere and exceptional climatic circumstance.



Standard Specification

Dial Size

63, 75, 100mm

Connection

63, 75mm : 3/8" BSPT

100mm : 1/2" BSPT

Scale Range (°C & °F)

-50 ~ 50 °C to -50 ~ 100 °C,

-30 ~ 50 °C to -30 ~ 120 °C,

-20 ~ 50 °C to -30 ~ 150 °C,

0 ~ 50 °C to 0 ~ 500 °C

Working Range

Max 100% of Full Scale

Accuracy

± 2.0% of Full Scale

Zero Adjustment

At pointer

Material

Case & Cover : 304SS

Window : Glass

Sensing Element : Coiled bimetallic

Connection : 304SS

Stem : 304SS, max 2000mm

Stem OD : 6, 8, 10mm

Thermometer Ordering Information

Model

T120

Dial Size

63, 75, 100mm

Scale Range

Stem Length

63, 75, 100mm

Connection Type

1/2" BSPT

3/8" BSPT

Options

Thermowell

Example of Order

Model

T120

Dial Size

75mm

Range

0 ~ 100 °C

Stem Length

100mm

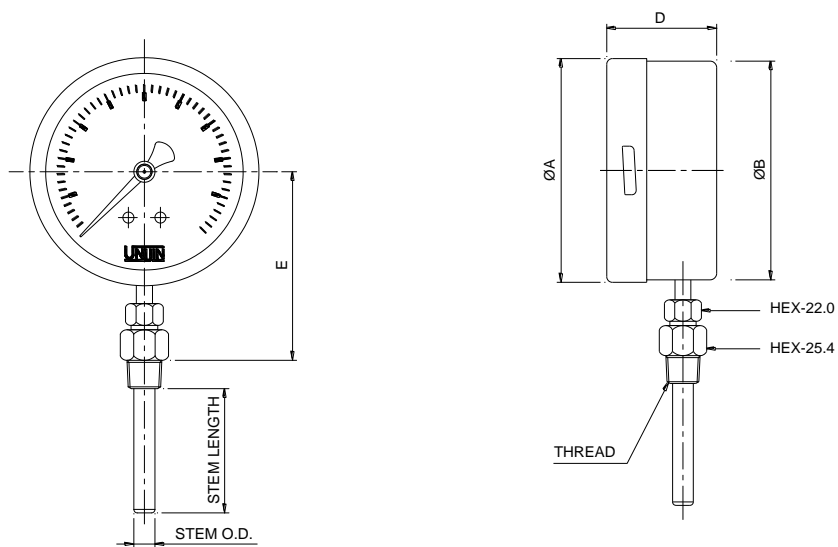
Connection

3/8" BSPT

Options

316SS Thermowell

Basic Dimensions



Unit : mm

	ø63	ø75	ø100	ø150
A	69.3	84.3	116.8	160.0
B	63.2	75.2	101.5	158.0
D	34.4	46.5	52.0	48.8
E	75.0	76.0	91.0	121.0