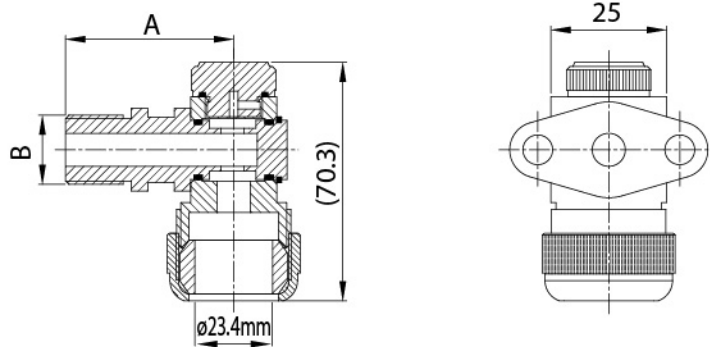


# CSE Sample Cock Valve

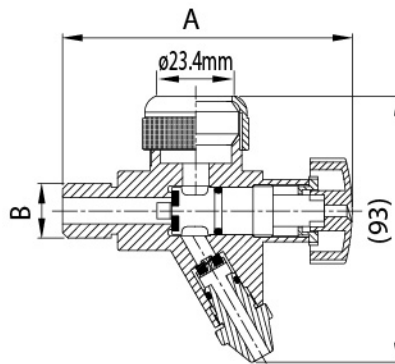
Food / Sanitary

## Upper Valve



Type	A	B
16AMP	51	ø50.5
Ferrule	66.4	ø50.5
Male	51	1/2"-PF
Flange	52.6	60x29

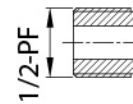
## Level Valve



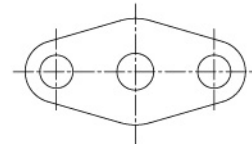
Type	A	B
16AMP	81.8	ø50.5
Ferrule	95.2	ø50.5
Male	109	1/2"-PF
Flange	81.5	60x29

## Connecting End

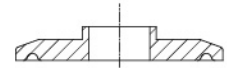
(1) PF Thread End



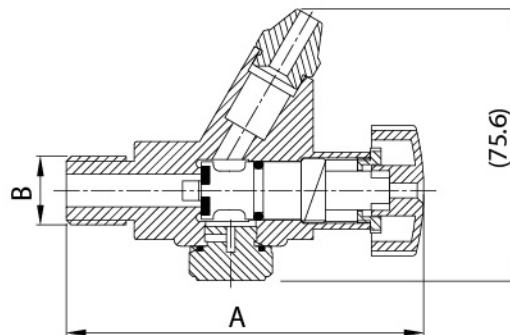
(2) Welding Flange End



(2) Welding Ferrule End



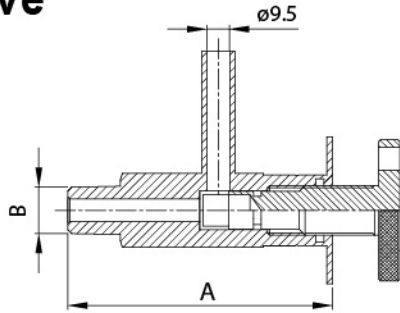
## Test Valve



Type	A	B
16AMP	81.8	ø50.5
Ferrule	95.33	ø50.5
Male	109	1/2"-PF
Flange	81.5	60x29

# CSE Sample Cock Valve

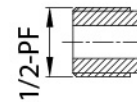
## A Type



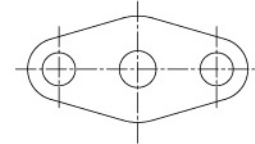
Type	A	B
16AMP	66.4	ø50.5
Ferrule	79.9	ø50.5
Male	75	1/4 NPT 3/8 NPT 1/2 NPT
Flange	81.5	60x29

## Connecting End

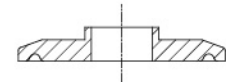
(1) PF Thread End



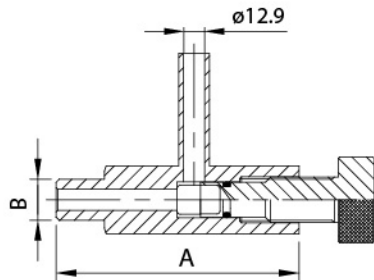
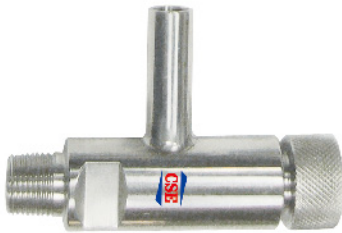
(2) Welding Flange End



(2) Welding Ferrule End

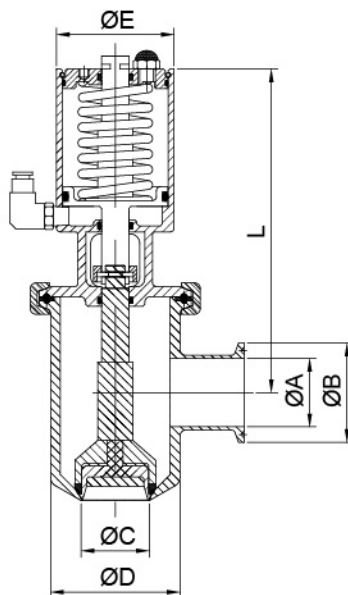


## B Type



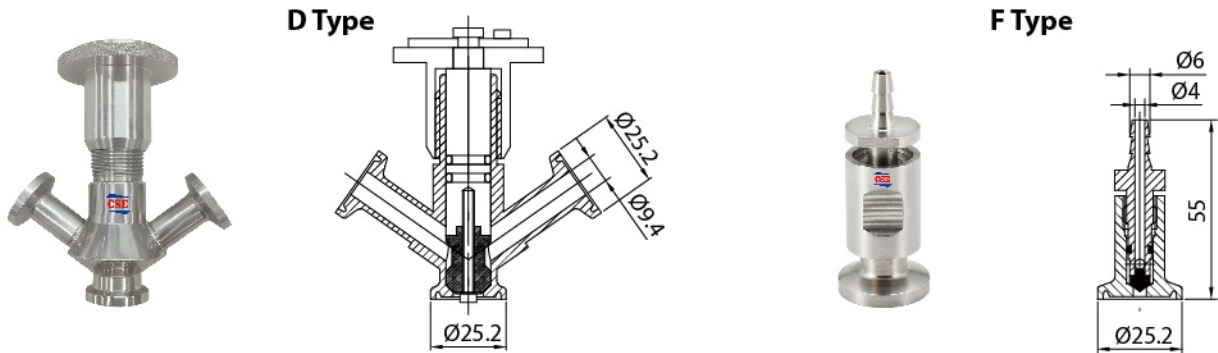
Type	A	B
16AMP	(82)	ø50.5/ø64
Ferrule	(90.6)	ø25
Male	(91.9)	1/4 NPT 3/8 NPT 1/2 NPT

# CSE Filling Valve

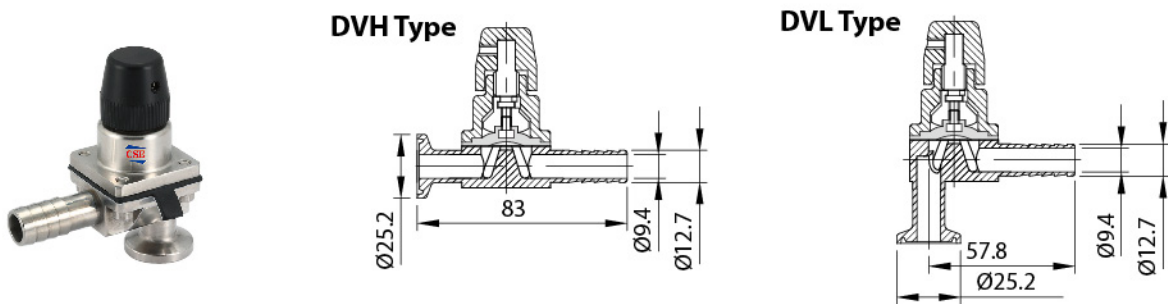


SIZE	ØA	ØB	ØC	ØD	ØE	L
1"x1"	22.1	50.5	22.1	55	60	165
1"x1.5"	34.8	50.5	22.1	55	60	165
1"x2"	47.5	64	22.1	66	85	292
1.5"x1.5"	34.8	50.5	34.8	66	60	165
1.5"x2"	47.5	64	34.8	66	85	292

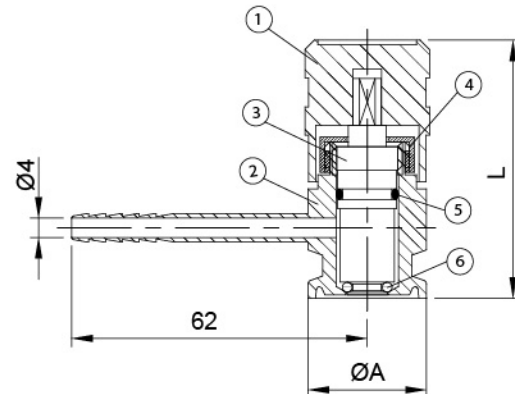
## CSE Sample Cock Valve



## CSE Diaphragm Sample Valve



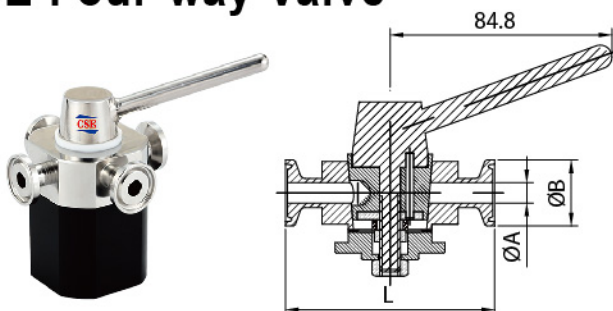
## C Type BPE/ Sanitary / Semi-conductor



Item	PART NAME	Q'TY	MATERIAL
1	Rotating Nut	1	POM
2	Body	1	SUS304/316(L)
3	Flow support	1	SUS304/316(L)
4	Locknut	1	SUS304/316(L)
5	O-Ring	1	EPDM
6	O-Ring	1	EPDM

SIZE	ØA	L
1/2"	25.2	70
1"	50.5	70

## CSE Four-way Valve



SIZE	ØA	ØB	L
3/8"	7.8	25.2	80
1/2"	9.4	25.2	80
3/4"	15.8	25.2	80

# CSE Hygienic Sample Valve for BPE

DA Type



DB Type

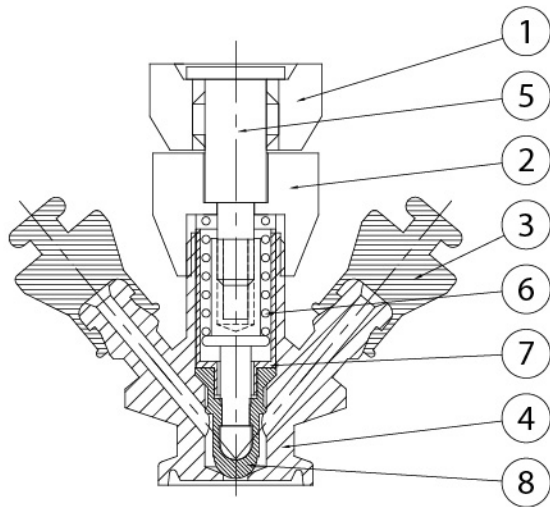


**Materials:**

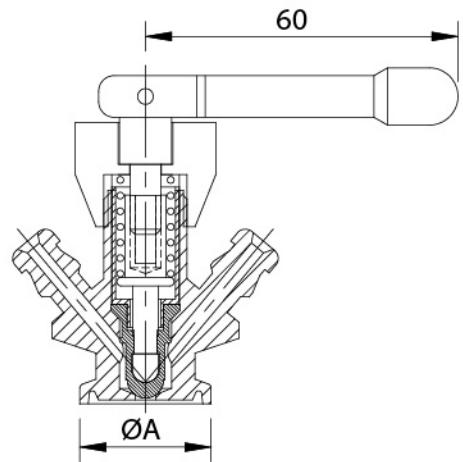
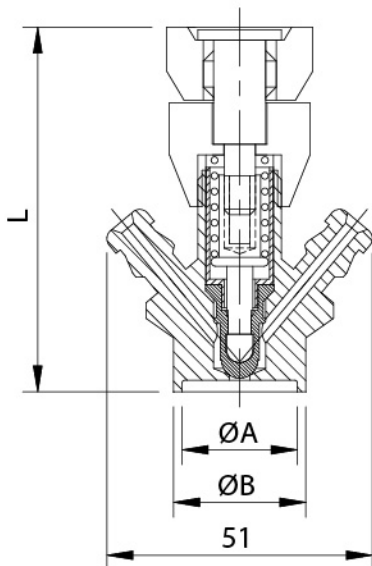
- Flow area: AISI 316L
- Other steel parts: AISI 316
- Plug stem: AISI 316L
- Gasket for flow area: EPDM/ Silicon/ FKM

**Technical data:**

- Temperature range: Full vacuum. -10°C to +140°C(EPDM).



Parts List			
Item	Parts name	QTY	Material
1	Rotating Nut	1	SUS304/316(L)
2	Lucknut	1	SUS304/316(L)
3	Seal	1	EPDM
4	Body	1	SUS304/316(L)
5	Flow Supports	1	SUS304/316(L)
6	Spring	1	SUS304/316(L)
7	Bushing	1	SUS304/316(L)
8	Seal	1	EPDM



**Weld**

SIZE	ØA	ØB	L
1/2"	9.4	12.7	71.5
3/4"	15.75	19.05	71.5
1.0"	22.1	25.4	71.5

**Clamp**

SIZE	ØA	L
A37	34	70
1/2"	25.2	70
3/4"	25.2	70
1.0"	50.5	70