

QFSC Single Sphere Joints

Rubber Flexible Joints



Pipe Size	50 PSI	100 PSI	150 PSI	200 PSI	228 PSI
32mm 1 1/4"					X
40mm 1 1/2"					X
50mm 2"					X
65mm 2 1/2"					X
80mm 3"					X
100mm 4"					X
125mm 5"					X
150mm 6"				X	X
200mm 8"				X	X
250mm 10"				X	X
300mm 12"			X	X	X

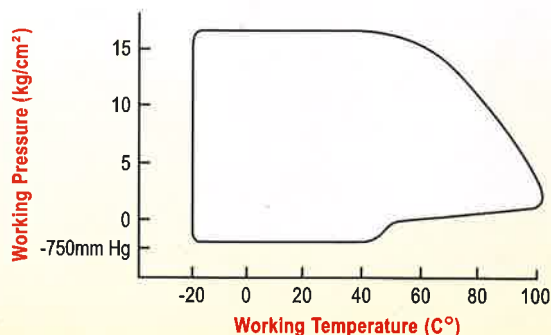
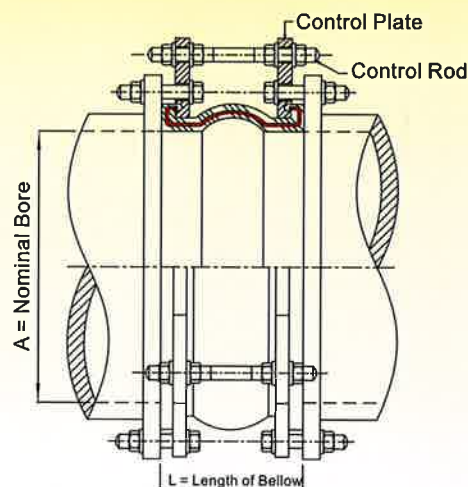
Pipe Size	50 PSI	100 PSI	120 PSI
350mm 14"			X
400mm 16"		X	X
450mm 18"		X	X
500mm 20"		X	X
300mm 22"		X	X
600mm 24"		X	X

* Note : X use control tie rods.

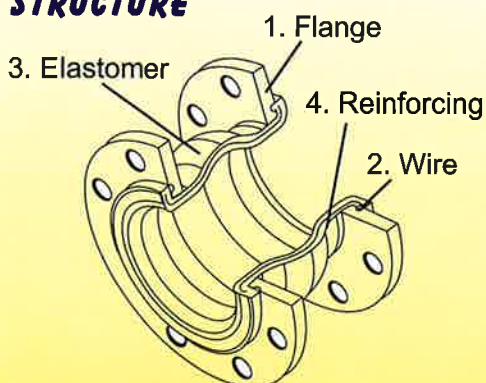
DIMENSION AND ALLOWABLE TOLERANCE / MOVEMENT

Nominal Bore (Inner Dia.) Size	Length of Bellows (mm)		Transverse Movement +/- (mm)	Axial Elongation (mm)	Axial Compression (mm)	Angular Deflection
	Face to Face Distance (mm)	Total Acceptable Tolerance +/- (mm)				
32mm 1 1/4"	95	3	5	5	10	15°
40mm 1 1/2"	95	3	5	5	10	15°
50mm 2"	115	3	10	10	10	15°
65mm 2 1/2"	125	3	10	10	10	15°
80mm 3"	150	3	10	10	15	15°
100mm 4"	150	3	10	10	15	15°
125mm 5"	150	3	10	10	15	15°
150mm 6"	150	3	10	10	20	15°
200mm 8"	150	3	10	10	20	15°
250mm 10"	200	3	20	15	20	15°
300mm 12"	205	3	20	15	20	15°
350mm 14"	205	3	20	15	20	15°
400mm 16"	210	3	20	15	25	15°
450mm 18"	210	3	20	15	25	15°
500mm 20"	205	3	20	15	25	15°
600mm 24"	255	3	25	20	25	15°

* Although the dimensional allowance for installation is as given in the table above, when installing this connector for suction purposes do not allow for its elongation.



STRUCTURE

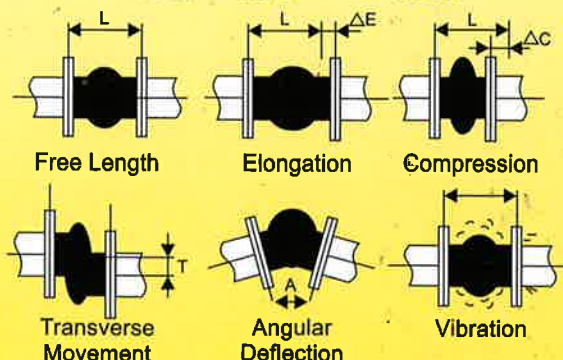


OPERATING CONDITIONS

(based on Neoprene Rubber Material)

	32mm - 300mm	350mm - 600mm
Operating Pressure	16kg / cm ² (228 psi)	8kg / cm ² (114 psi)
Burst Pressure	Over 50kg / cm ² (711 psi)	Over 30kg / cm ² (427 psi)
Negative Pressure	750mm Hg	
Working Temperature	-20 °C to 100 °C (-4 °F to 212 °F)	
Working Fluids	Water, Hot Water, Sea Water, Compressed Air, Steam, Solvent, Acid, Weak Alkalies.	

ACCEPTANCE OF MOTION



Single - Sphere

Item	Part	Material
1	Flanges	SS41 (changeable)
2	Wire	Hard Steel Wire
3	Elastomer	Synthetic Rubber
4	Reinforcing Fabric	Nylon Fabric

* Standard rubber material uses are EPDM & Neoprene, or may be replaced by other special synthetic rubber.