

**PRESSURE RELIEF VALVES**

**Globe Type / Model 50B-4KG1  
Angle Type / Model 2050B-4KG1**



U.L. Listed.....Sizes 3" thru 8"  
F.M. Approved.....Sizes 3" thru 8"  
U.L.C. Listed.....Sizes 2" thru 10"

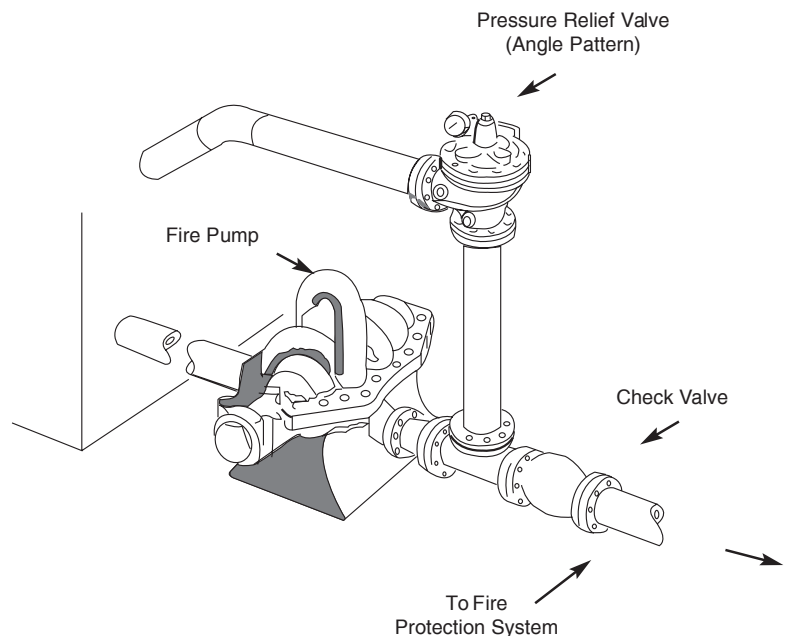
**Features**

- Fast Opening to Maintain Steady Line Pressure
- Accommodates Wide Range of Flow Rates
- Closes Gradually for Surge-Free Operation
- Adjustable Pressure Settings, Not Affected by Pressure At Valve Discharge

The Model 50B-4KG1 Globe / 2050B-4KG1 Angle Pressure Relief Valve is designed specifically to automatically relieve excess pressure in fire protection pumping systems. Pilot controlled, it maintains constant system pressure at the pump discharge within very close limits as demands change. The 50B-4KG1 and 2050B-4KG1 can be supplied with optional internal and external epoxy coating of the main valve wetted surfaces.

**Typical Application**

At pump start, Relief Valve modulates to relieve excess pump capacity, maintaining positive system pressure at the pump discharge. When fire demand slows or ceases, Model 50B-4KG1 opens, diverting entire pump output to discharge, allowing fire pump to be stopped without causing surging in the lines. (Please note that if the Model 50B-4KG1 is to be used on a continuous duty basis to maintain fire-system pressure, suitable back pressure must be provided on the valve to prevent cavitation damage. Consult the factory for details.)



**Specifications**

<b>Size</b>	: Globe: 2" - 10" flanged Angle: 2" - 10" flanged
<b>End Details &amp; Pressure Ratings</b>	: Class 150 ANSI B16.42 (175PSI) and Class 300 ANSI B16.42 (300PSI)
<b>Temperature Range</b>	: Water to 82°C (180°F) Max.
<b>Pressure Adjustment Range</b>	: 20-200 psi (150 Class) — 100-300 psi (300 Class)



## PRESSURE RELIEF VALVES

### Materials

**Main Valve Body & Cover**

**Standard Main Valve Trim**

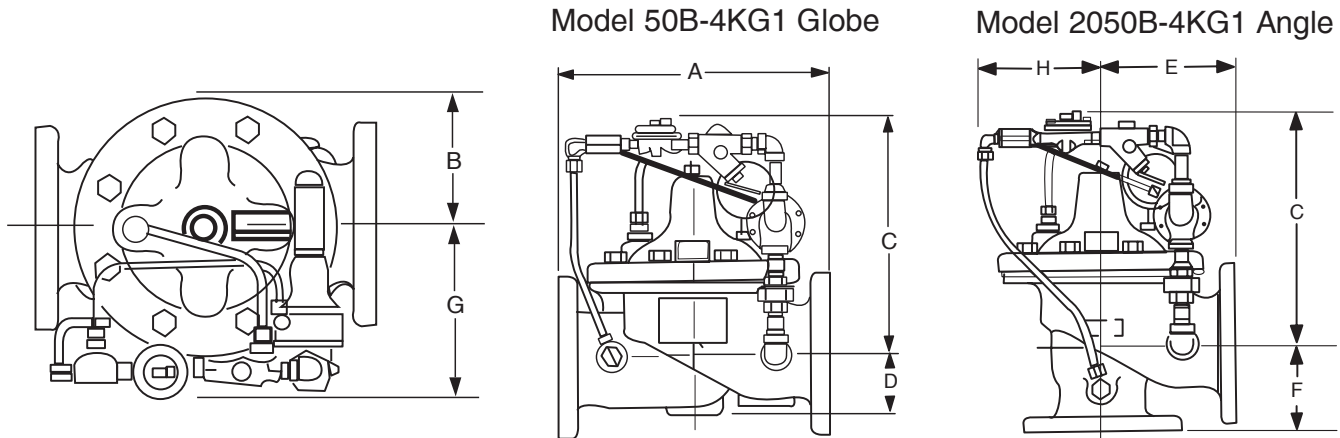
**Standard Pilot Control System**

: Ductile Iron ASTM A-536 — Naval Bronze ASTM B61

: Bronze Seat, Teflon Coated — Stainless Steel Stem, Dura-Kleen Stem

: Cast Bronze with Stainless Steel trim

### Dimensions



Size (inch)	2"	2 1/2"	3"	4"	6"	8"	10"
Threaded Ends	9,38	11,00	12,50	-	-	-	-
A 150 Flanged	9,38	11,00	12,00	15,00	20,00	25,38	29,75
300 Flanged	10,00	11,62	13,25	15,62	21,00	26,38	31,12
300 X 150	-	-	12,88	15,31	20,56	25,88	30,44
B	3,31	4,00	4,56	5,75	7,88	10,00	11,81
C	12,00	12,25	12,50	13,00	14,31	16,31	18,00
D	1,50	1,69	2,66	3,19	4,31	5,31	9,25
Threaded Ends	4,75	5,50	6,25	-	-	-	-
E 150 Flanged	4,75	5,50	6,00	7,50	10,00	12,75	14,88
300 Flanged	5,00	5,88	6,38	7,88	10,50	13,25	15,56
Threaded Ends	3,25	4,00	4,50	-	-	-	-
F 150 Flanged	3,25	4,00	4,00	5,00	6,00	8,00	8,62
300 Flanged	3,50	4,31	4,38	5,31	6,50	8,50	9,31
G & H	6,00	6,69	7,75	7,88	8,50	9,75	13,25

Size (mm)	50	65	80	100	150	200	250
Threaded Ends	238	279	318	-	-	-	-
A 150 Flanged	238	279	305	381	508	645	756
300 Flanged	254	295	337	397	533	670	790
300 X 150	-	-	327	389	522	657	773
B	84	102	116	146	200	254	300
C	305	311	318	330	363	414	457
D	38	43	68	81	109	135	235
Threaded Ends	121	140	159	-	-	-	-
E 150 Flanged	121	140	152	191	254	324	378
300 Flanged	127	149	162	200	267	337	395
Threaded Ends	83	102	114	-	-	-	-
F 150 Flanged	83	102	102	127	152	203	219
300 Flanged	89	109	111	135	165	216	236
G & H	152	170	197	200	216	248	337

## Threaded Pressure Relief Valve / Model 55L



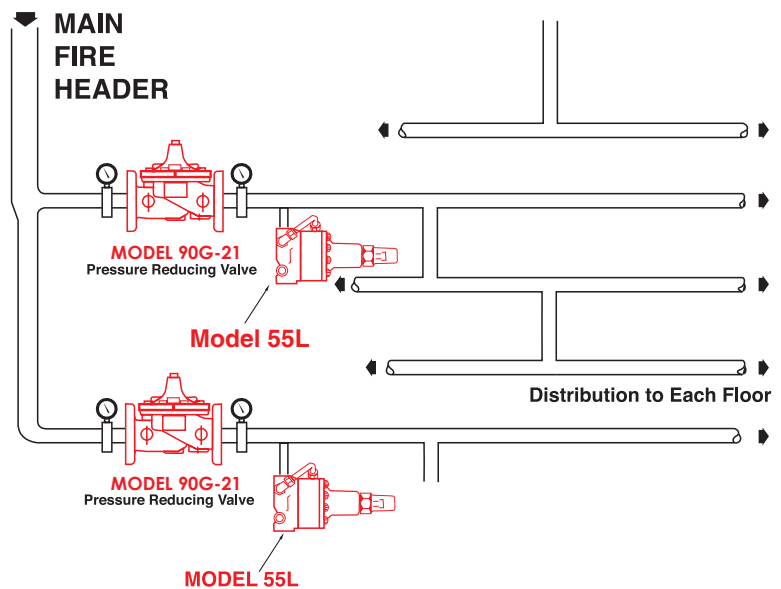
### Features

- Direct Acting - Precise Pressure Control
- Positive Dependable Opening
- Drip Tight Closure
- No Packing Glands or Stuffing Boxes
- Sensitive to Small Pressure Variations

The Model 55L (UL Listed FM approved) Pressure Relief Valve is a direct-acting, spring loaded, diaphragm type relief valve. The valve may be installed in any position and will open and close within very close pressure limits. The Model 55L is normally held closed by the force of the compression spring above the diaphragm. When the controlling pressure applied under the diaphragm exceeds the spring setting, the disc is lifted off its seat, permitting flow through the control. When control pressure drops below the spring setting, the spring forces the control back to its normally closed position. The controlling pressure is applied to the chamber beneath the diaphragm through an external tube on the 55L. Pressure adjustment is simply a matter of turning the adjusting screw to vary the spring load on the diaphragm. The 55L is available in three pressure ranges; 0 to 75 psi, 20 to 175 psi, 100 to 300 psi. To prevent tampering, the adjustment cap can be wire sealed by using the lock wire holes provided in the cap and cover.

### Typical Application

Fire Protection System Service  
Using the Model 55L in a fire protection system or other closed type system, prevents pressure build-up whenever line pressure exceeds the setting of the spring. The valve will relieve excess pressure to atmosphere preventing damage to the distribution network.





## PRESSURE RELIEF VALVES

### Specifications

**Size** : 1/2" & 3/4" Threaded  
**Temperature Range** : Water to 82°C (180°F) Max.

### Materials

**Body & Cover** : Cast Bronze ASTM B62 — Stainless Steel ASTM A743-CF-16Fa  
**Trim** : Brass & Stainless Steel 303  
**Rubber** : Buna-N® Synthetic Rubber  
**Pressure Ratings** : Cast Bronze 400 psi Max.  
**Adjustment Ranges** : 0 to 75 psi — 20 to 200 psi — 100 to 300 psi

### Dimensions

