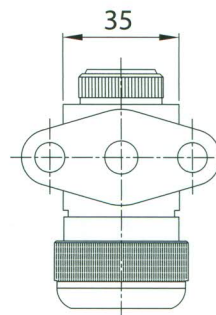
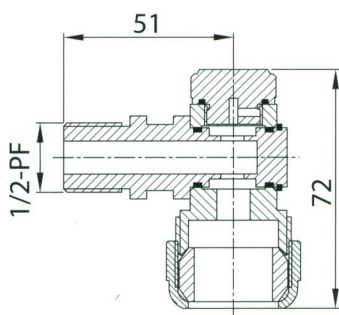
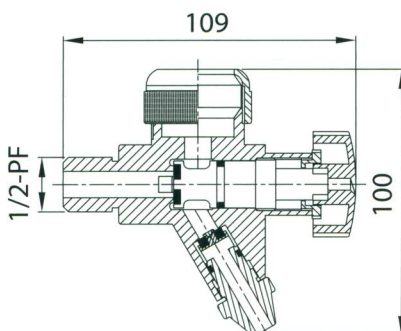


# CSE Sample Cock Valve

## Upper Valve



## Level Valve



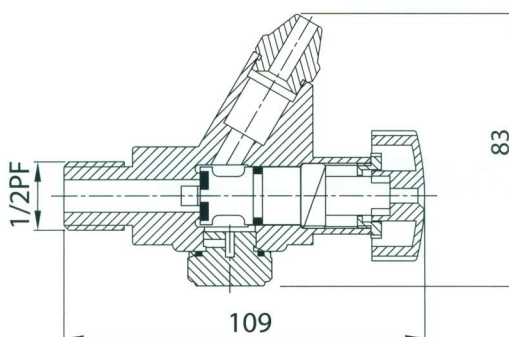
## Connecting End

(1) PF Thread End

(2) Welding Flange End

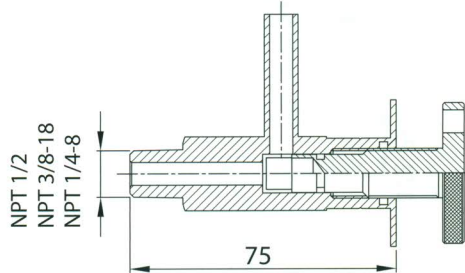
(2) Welding Ferrule End

## Test Valve



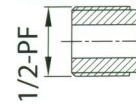
# CSE Sample Cock Valve

## A Type

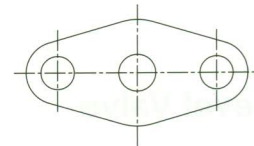


### Connecting End

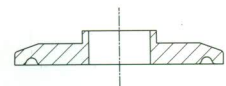
(1) PF Thread End



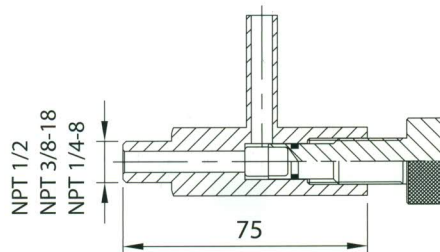
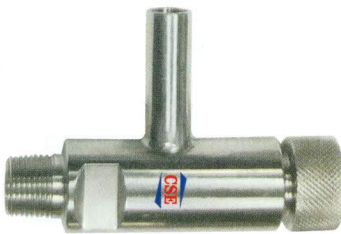
(2) Welding Flange End



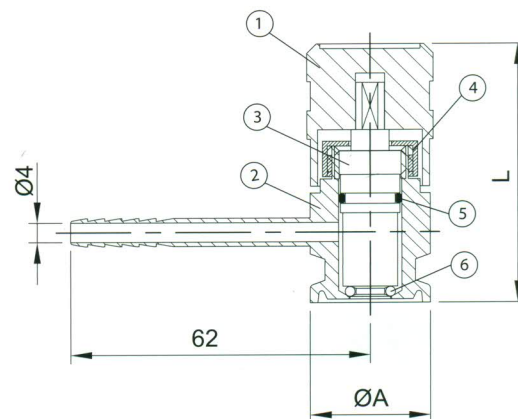
(2) Welding Ferrule End



## B Type



## C Type



Item	PART NAME	Q'TY	MATERIAL
1	Rotating Nut	1	POM
2	Body	1	SUS304/316(L)
3	Flow support	1	SUS304/316(L)
4	Locknut	1	SUS304/316(L)
5	O-Ring	1	EPDM
6	O-Ring	1	EPDM

SIZE	$\varnothing A$	L
1/2"	25.2	70
1"	50.5	70