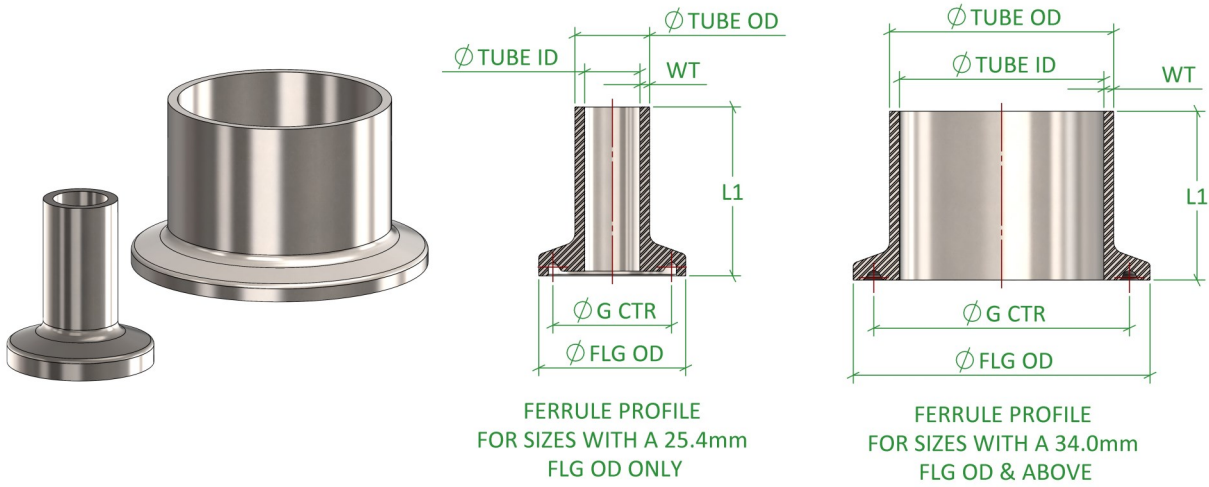


Tri-Clamp Fittings

TC Ferrules, BS4825-3



Standard	BS4825-3, Imperial	Certification	EN10204 3.1
Connections	TC Fitting X Weld End	Associated Parts	TC Clamp, TC Gasket, TC Blanks
Material	316L Stainless Steel EN 1.4404	Associated Standards	BS4825-1, BS4825-2, ASME BPE
Surface Finish	0.8Ra Internal Wetted Surfaces	Options	Non Standard Sizes, Duplex Materials
Remarks	TC Ferrules Available Machined From European Billets of 316L Stainless Steel with 3.1b Material Certificates Upon Request		

TC Fittings, TC Ferrule, BS4825-3

Size (inch)	FLG OD (mm)	TUBE OD (mm)	TUBE ID (mm)	WT (mm)	G CTR (mm)	L1 (mm)	Part Code
0.500"	25.40	12.70	9.40	1.65	20.30	21.50	CF.BS.0050.6
0.750"	25.40	19.05	15.75	1.65	20.30	21.50	CF.BS.0075.6
1.000"	50.50	25.40	22.10	1.65	43.50	21.50	CF.BS.0100.6
1.500"	50.50	38.10	34.80	1.65	43.50	21.50	CF.BS.0150.6
2.000"	64.00	50.80	47.50	1.65	56.50	21.50	CF.BS.0200.6
2.500"	77.50	63.50	60.20	1.65	70.50	21.50	CF.BS.0250.6
3.000"	91.00	76.20	72.90	1.65	83.50	21.50	CF.BS.0300.6
3.500"	106.00	88.90	84.90	2.00	97.00	21.50	CF.BS.0350.6
4.000"	119.00	101.60	97.40	2.10	110.00	21.50	CF.BS.0400.6
4.500"	130.00	114.30	110.30	2.00	122.00	28.00	CF.BS.0450.6
5.000"	144.40	129.00	125.00	2.00	135.00	28.00	CF.BS.0500.6
5.500"	155.00	139.70	134.50	2.60	146.00	28.00	CF.BS.0550.6
6.000"	167.00	154.00	150.00	2.00	156.50	28.00	CF.BS.0600.6
6.580"	183.00	168.30	163.10	2.60	174.00	28.00	CF.BS.0658.6
8.000"	217.40	204.00	200.00	2.00	207.40	28.00	CF.BS.0800.6
8.580"	233.50	219.10	213.90	2.60	225.00	28.00	CF.BS.0858.6
10.000"	268.00	254.00	250.00	2.00	258.00	28.00	CF.BS.1000.6
10.750"	286.10	273.10	266.30	3.40	276.00	28.00	CF.BS.1075.6
12.000"	319.00	304.80	300.80	2.00	308.00	28.00	CF.BS.1200.6
12.750"	338.00	323.80	315.90	3.95	329.00	28.00	CF.BS.1275.6