



V-2T

TWO PARTIAL BALL VALVES

GENERAL FEATURES

The essential element in the ball valve is a ball which has a hole in the middle. This ball's 90° turn move it from fully opened to closed position. The ball valves are primarily used in places where it is necessary to open and close a lot or to open and close quickly.

The advantages are low pressure losses, easy opening and closing, good sealing, light weight and low space occupancy. Sealing; It is made up of two stages as a sphere seal and a shaft seal.

Ayvaz V-2T two-Piece Stainless Steel Ball Valves, 10 bars under water are subjected to a 100% air test in the open and closed positions.

Material Structure:

Body: AISI316 / AISI304 Stainless Steel
Ball: AISI316 / AISI304 Stainless Steel

Connection:

Threaded

Nominal Diameter:

DN15 (1/2") - DN100 (4")

Pressure Rate:

Maximum 63 bar

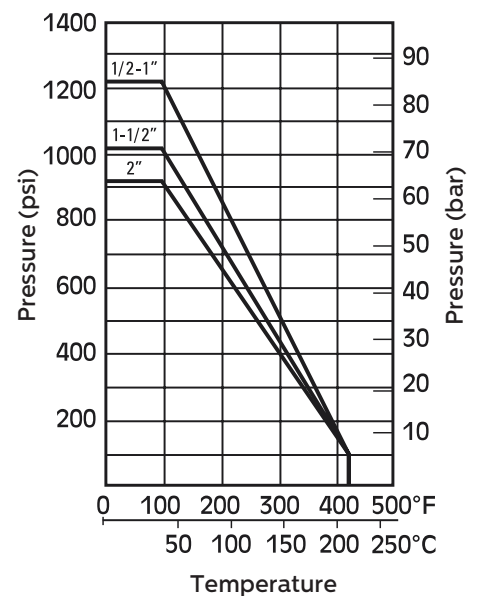
Temperature Rate:

Depend on material from -25°C to 180°C

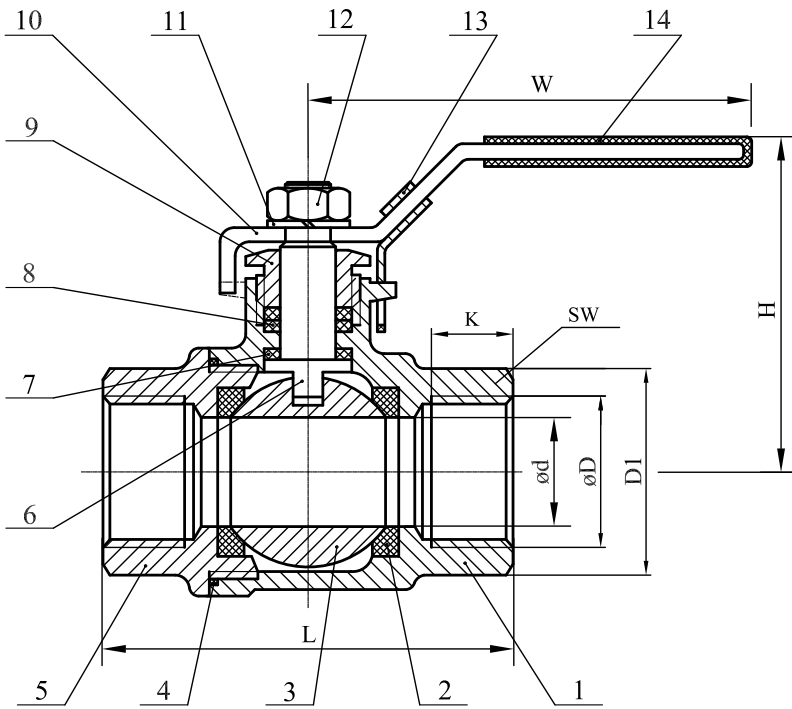
Applications:

- Heating-cooling lines
- Food facilities
- Chemical industry
- Shipbuilding
- Paper factories

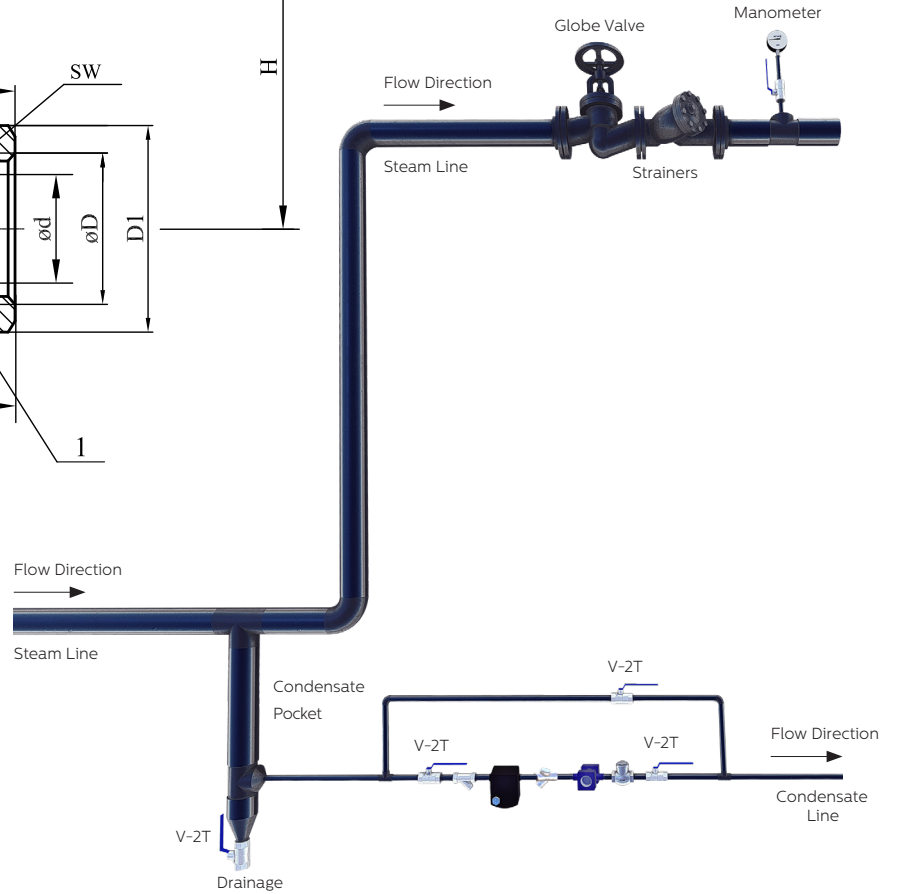
Pressure - Temperature Rate



V-2T TWO PARTIAL BALL VALVES



3D APPLICATION SAMPLE



PART LIST		
No	Part Name	Material
1	Body	AISI 304 / 316
2	Ball Gasket	R-PTFE (15%)
3	Ball	AISI 304 / 316
4	Body Teflon	PTFE
5	Cover	AISI 304 / 316
6	Moving Stem	AISI 304 / 316
7	Sealing Teflon	PTFE
8	Sealing Gasket	PTFE
9	Sealing Nut	AISI 304
10	Handle	AISI 304
11	Ring	AISI 304
12	Nut	AISI 304
13	Lock	AISI 304
14	Handle Cover	PLASTIC

DIMENSIONS										
Dia.	Ød	ØD	ØD1	K	SW	L	H	W	N.m	kg
1/4"	6	1/4"	23	11	22	50	50	100	4	0.27
3/8"	10	3/8"	23	11.4	22	60	50	100	4	0.25
1/2"	15	1/2"	29	15	25	75	52	100	5	0.33
3/4"	20	3/4"	35	16	32	80	57	115	8	0.619
1"	25	1"	42	19	39	90	78	150	10	0.77
1-1/4"	32	1-1/4"	52	21	49	110	88	150	14	1.21
1-1/2"	40	1-1/2"	61	21	55	120	95	180	18	1.84
2"	50	2"	74,5	25	68	140	100	180	25	2.93
2-1/2"	65	2-1/2"	93,5	29	85	185	120	245	48	7.20
3"	80	3"	110	32	100	205	130	245	75	11.5
4"	100	4"	140	38	128	240	160	278	110	20.1

V-2T TWO PARTIAL BALL VALVES

V-2T TWO PARTIAL BALL VALVES



HEAD OFFICE - FACTORY

Atatürk Sanayi Bölgesi Hadımköy Mahallesi Mustafa İnan Caddesi No: 44 Arnavutköy - İSTANBUL
Tel: +90 212 771 01 45 (pbx) | Fax: +90 212 771 47 27
info@ayvaz.com | www.ayvaz.com

**Cona
Caserta/Italy**

Tel: +39 0823 187 3988
rmolaro@ayvaz.com

**Ayvaz Germany
Viernheim/Germany**

Tel: +49 62046014399
germany@ayvaz.com

**Ayvaz Ukraine
Kiev/Ukraine**

Tel: +380 44 390 57 57
info@ayvaz.com.ua

**Tricorr
Warsaw/Poland**

Tel: +48 530 030 810
+48 533 603 335
tricorr@tricorr.eu

**Ayvaz Azerbaijan
Baku/Azerbaijan**

Tel: +99 (455) 579-84-32
ahayatov@ayvaz.com

**Ayvaz Egypt
Cairo/Egypt**

Tel: +20 122 819 78 29
andrew.eid@ayvaz.com

**Ayvaz Gulf
Dubai/U.A.E**

Tel: +971 563550822
+971 501306871
mideast@ayvaz.com

**Ayvaz China
Ningbo/China**

Tel: +86 152 5830 7361
msahin@ayvaz.com

**Ayvaz Kazakhstan LLP
Almaty/Kazakhstan**

Tel: +7 (727) 327 97 57
info_kz@ayvaz.com

**Ayvaz N
Ispirih/Bulgaria**

Tel: +359 8431 27 32
office@ayvaz-n.eu

**Ayvaz Serbia
Belgrade/Serbia**

Tel: +381 61 658 70 52
yakbiyik@ayvaz.com

**Ayvaz Vietnam
HCMC/Vietnam**

Tel: +84 89 8508345

**Ayvaz Americas
Rhode Island/USA**

Tel: +1 401 737 8380
americas@ayvaz.com