

V-2F/FP

## STAINLESS STEEL BALL VALVES / TWO PIECES FLANGED

### GENERAL FEATURES

The essential element in the ball valve is a ball which has a hole in the middle. This ball's 90° turn move it from fully opened to closed position. The ball valves are primarily used in places where it is necessary to open and close a lot or to open and close quickly.

The advantages are low pressure losses, easy opening and closing, good sealing, light weight and low space occupancy. Sealing: It is made up of two stages as a sphere seal and a shaft seal.

**Materials:**

Body: AISI316 / AISI304 Stainless Steel  
Ball: AISI316 / AISI304 Stainless Steel

**Connection:**

Flanged

**Nominal Dia.:**

DN15 (1/2") - DN200 (8")

**Pressure Class:**

PN40 (1/2" - 2")  
PN16 (2 1/2" - 4")  
PN16 (5" - 8")

**Temperature Range:**

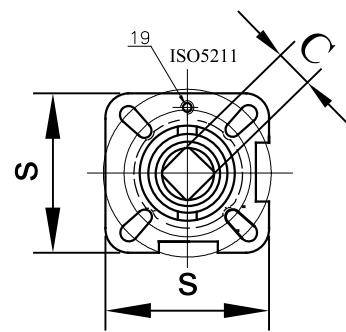
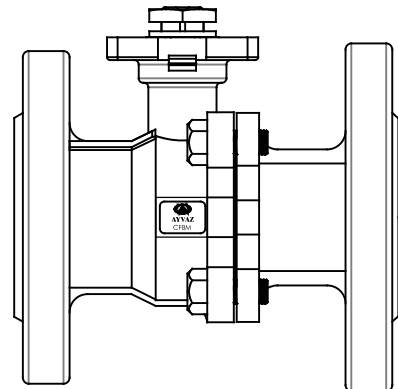
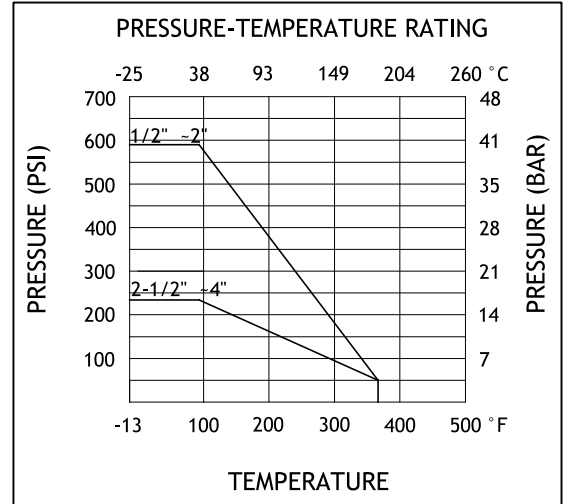
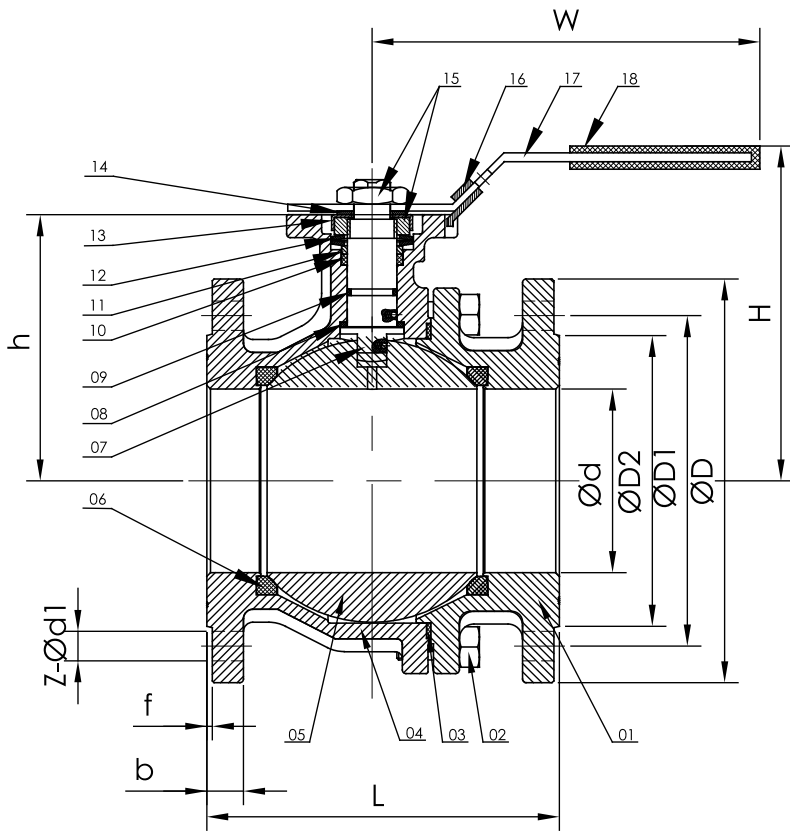
Based on material from -25°C to 180°C

**Applications:**

- Heating-cooling lines
- Food facilities
- Chemical industry
- Shipbuilding
- Paper mills

# V-2F/FP STAINLESS STEEL BALL VALVES / TWO PIECES FLANGED

## DN15-DN100 TECHNICAL SPECIFICATIONS

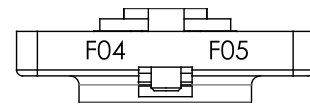
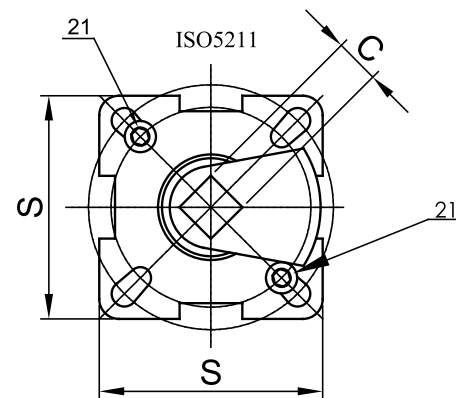
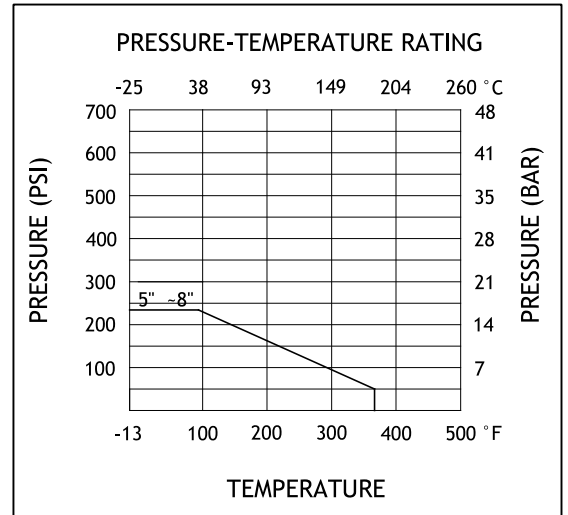
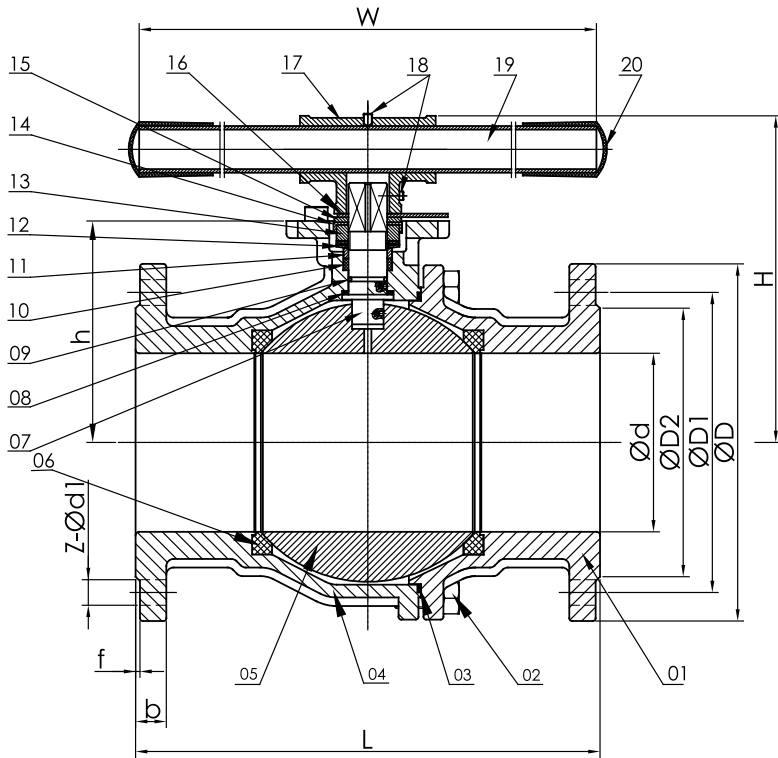


PART LIST		
	Part Name	Material
1	Cover	CF8M/CF8
2	Bolt	SS304
3	Body Gasket	PTFE
4	Body	CF8M/CF8
5	Ball	SS316
6	Ball Gasket	R-PTFE(15%)
7	Stem	SS316
8	Seal Teflon	PTFE
9	O-ring	Viton
10	Seal Gasket	SS304
11	Seal Ring	SS304
12	Spring Ring	SS304
13	Stopper	SS304
14	Ring	SS304
15	Nut	SS304
16	Handle Lock	SS304
17	Lock	SS304
18	Handle Cover	Plastic
19	Pin	SS304

DIMENSIONS (mm)														
DN	L	D	D1	D2	b	f	H	W	C	Z-Ød1	h	s	Nm	Kg
15	115	95	65	45	16	2	82	117	9	4-Ø14	48	42,6	5	2
20	120	105	75	58	18	2	87	117	9	4-Ø14	53	42,6	8	3
25	125	115	85	68	18	2	90	164	11	4-Ø14	58,5	50	10	4
32	130	140	100	48	18	2	100	164	11	4-Ø18	71	50	14	5
40	140	150	110	88	18	3	116	203	14	4-Ø18	76,5	64,5	18	6,5
50	150	165	125	102	18	3	125	203	14	4-Ø18	85	64,5	25	9
65	170	185	145	122	18	3	154	255	17	4-Ø18	100	93,6	48	14
80	180	200	160	138	20	3	164	255	17	8-Ø18	112,5	93,6	75	18
100	190	220	180	158	20	3	180	302	17	8-Ø18	125,5	93,6	110	26

# V-2F/FP STAINLESS STEEL BALL VALVES / TWO PIECES FLANGED

## DN125-DN200 TECHNICAL SPECIFICATIONS



PART LIST		
	Part Name	Material
1	Cover	CF8M/CF8
2	Bolt	SS304
3	Body Gasket	PTFE
4	Body	CF8M/CF8
5	Ball	SS316
6	Ball Gasket	R-PTFE(15%)
7	Stem	SS316
8	Ring	PTFE
9	O-ring	Viton
10	Sealing Gasket	PTFE
11	Sealing Ring	SS304
12	Spring Ring	SS304
13	Nut	SS304
14	Nut stopper	SS304
15	Ring	SS304
16	Handle Lock	SS304
17	Ring	SS304
18	Screw	SS304
19	Handle	Galvanic
20	Handle Cover	Plastic
21	Pim	SS304

DIMENSIONS (mm)															
DN	L	D	D1	D2	b	f	H	W	C	Z-Ød1	h	s	Nm	Kg	
125	325	250	210	188	22	3	228	600	22	8-Ø18	115	114	200	40	
150	350	285	240	212	22	3	246	600	22	8-Ø22	172,5	114	300	53	
200	400	340	295	295	24	3	310	800	27	12-Ø22	217	131	400	57	

## V-2F/FP STAINLESS STEEL BALL VALVES / TWO PIECES FLANGED

## V-2F / FP STAINLESS STEEL BALL VALVES / TWO PIECES FLANGED



### HEAD OFFICE - FACTORY

Atatürk Sanayi Bölgesi Hadımköy Mahallesi Mustafa İnan Caddesi No: 44 Arnavutköy - İSTANBUL  
Tel: +90 212 771 01 45 (pbx) | Fax: +90 212 771 47 27  
info@ayvaz.com | www.ayvaz.com

#### **Cona Caserta/Italy**

Tel: +39 0823 187 3988  
rmolaro@ayvaz.com

#### **Ayvaz Germany Viernheim/Germany**

Tel: +49 62046014399  
germany@ayvaz.com

#### **Ayvaz Ukraine Kiev/Ukraine**

Tel: +380 44 390 57 57  
info@ayvaz.com.ua

#### **Tricorr Warsaw/Poland**

Tel: +48 530 030 810  
+48 533 603 335  
tricorr@tricorr.eu

#### **Ayvaz Azerbaijan Baku/Azerbaijan**

Tel: +99 (455) 579-84-32  
ahayatov@ayvaz.com

#### **Ayvaz Egypt Cairo/Egypt**

Tel: +20 122 819 78 29  
andrew.eid@ayvaz.com

#### **Ayvaz Gulf Dubai/U.A.E**

Tel: +971 563550822  
+971 501306871  
mideast@ayvaz.com

#### **Ayvaz China Ningbo/China**

Tel: +86 152 5830 7361  
msahin@ayvaz.com

#### **Ayvaz Kazakhstan LLP Almaty/Kazakhstan**

Tel: +7 (727) 327 97 57  
info\_kz@ayvaz.com

#### **Ayvaz N Ispirih/Bulgaria**

Tel: +359 8431 27 32  
office@ayvaz-n.eu

#### **Ayvaz Serbia Belgrade/Serbia**

Tel: +381 61 658 70 52  
yakbiyik@ayvaz.com

#### **Ayvaz Vietnam HCMC/Vietnam**

Tel: +84 89 8508345

#### **Ayvaz Americas Rhode Island/USA**

Tel: +1 401 737 8380  
americas@ayvaz.com