



SC-201

## SWING TYPE CHECK VALVES

### GENERAL FEATURES

Check valves are general purpose armatures and application areas for liquids, gases, condensate and air. They increase operational safety and can replace complicated armatures. Ayvaz SC-201 Swing Type Check Valves have several advantageous, such as short installation times and space saving.

The working part of the check valves is a hinged flap. This flap can move freely on the hinge pin in one direction. It works with fluid movement automatically. As the fluid flows in the direction of arrow, the flap opens to allow passage. If the flow is in the opposite direction, the flap closes. Thus, the flow on the line on which the check valve is fitted is one-way.

**Product Material**

Body: AISI 304/316 Stainless Steel  
Cover: AISI 304/316 Stainless Steel

**Connection:**

Threaded- BSPT

**Nominal Diameter:**

DN15 (1/2") - DN50 (2")

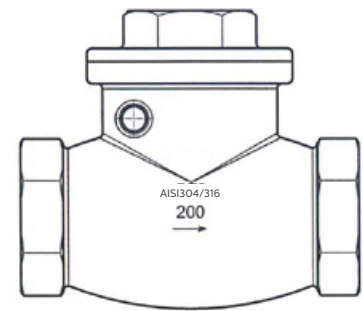
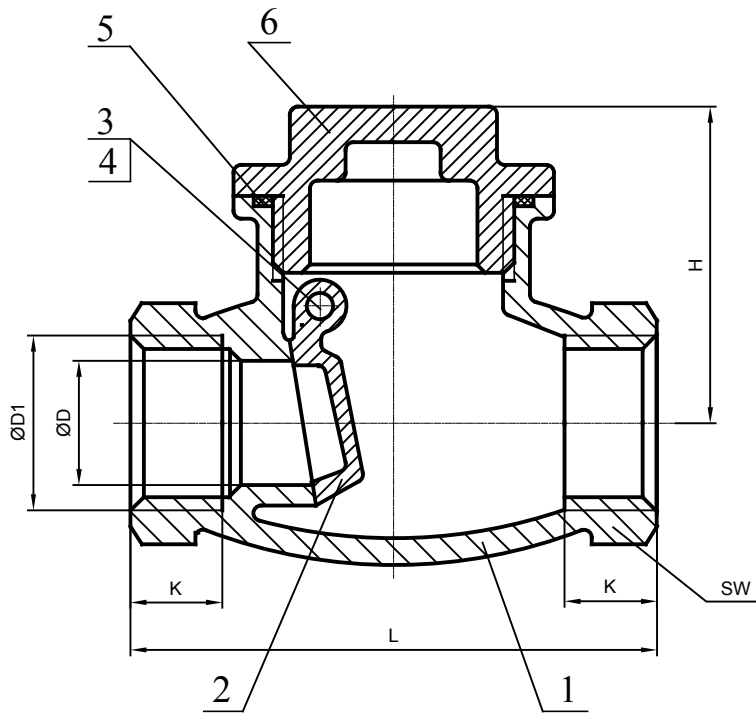
**Pressure Class:** PN 16

**Working Temperature:** 180 °C

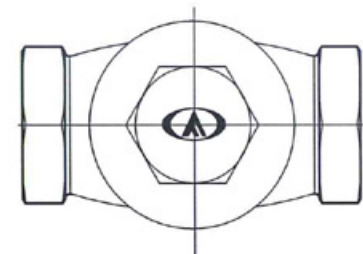
**Application Areas:**

- Water and condensate lines
- Heating, cooling and air conditioning systems
- City water lines
- Air installations
- Paper mills
- Power stations
- Shipyards and shipbuilding
- Ship mechanical and cooling systems
- Mineral and oil industry
- Textile industry

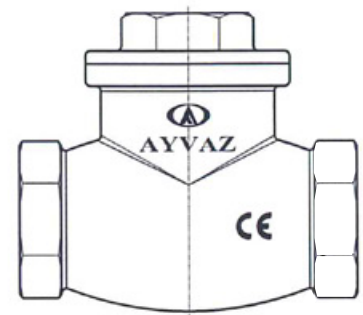
# SC-201 SWING TYPE CHECK VALVES



FRONT



TOP



BACK

No	Part	Material
1	Body	AISI 304/3016
2	Disc	AISI 304/3016
3	Pipe Plug	AISI 304/3016
4	Plug Gasket	PTFE
5	Body Gasket	PTFE
6	Cap	AISI 304/3016

Dia.	Ø D1	d	SW	K	L	H	Kgs
1/4"	28	10	25	10,5	63	42	0,23
3/8"	28	12	25	11	63	42	0,26
1/2"	28	15	25	11,5	63	42	0,27
3/4"	35	20	31	14	78	46	0,35
1"	42,5	25	38	14,5	87	50	0,54
1 1/4"	55	32	50	17	100	54	0,81
1 1/2"	62	40	55	17	115	64	1,01
2"	76	50	67	18	135	71	1,62

\* All dimensions are in mm.

# SC-201 SWING TYPE CHECK VALVES

## SWING TYPE CHECK VALVES



### HEAD OFFICE - FACTORY

Atatürk Sanayi Bölgesi Hadımköy Mahallesi Mustafa İnan Caddesi No: 44 Arnavutköy - İSTANBUL  
Tel: +90 212 771 01 45 (pbx) | Fax: +90 212 771 47 27  
info@ayvaz.com | www.ayvaz.com

#### **Cona Caserta/Italy**

Tel: +39 0823 187 3988  
rmolaro@ayvaz.com

#### **Ayvaz Germany Viernheim/Germany**

Tel: +49 62046014399  
germany@ayvaz.com

#### **Ayvaz Ukraine Kiev/Ukraine**

Tel: +380 44 390 57 57  
info@ayvaz.com.ua

#### **Tricorr Warsaw/Poland**

Tel: +48 530 030 810  
+48 533 603 335  
tricorr@tricorr.eu

#### **Ayvaz Azerbaijan Baku/Azerbaijan**

Tel: +99 (455) 579-84-32  
ahayatov@ayvaz.com

#### **Ayvaz Egypt Cairo/Egypt**

Tel: +20 122 819 78 29  
andrew.eid@ayvaz.com

#### **Ayvaz Gulf Dubai/U.A.E**

Tel: +971 563550822  
+971 501306871  
mideast@ayvaz.com

#### **Ayvaz China Ningbo/China**

Tel: +86 152 5830 7361  
msahin@ayvaz.com

#### **Ayvaz Kazakhstan LLP Almaty/Kazakhstan**

Tel: +7 (727) 327 97 57  
info\_kz@ayvaz.com

#### **Ayvaz N Ispirih/Bulgaria**

Tel: +359 8431 27 32  
office@ayvaz-n.eu

#### **Ayvaz Serbia Belgrade/Serbia**

Tel: +381 61 658 70 52  
yakbiyik@ayvaz.com

#### **Ayvaz Vietnam HCMC/Vietnam**

Tel: +84 89 8508345

#### **Ayvaz Americas Rhode Island/USA**

Tel: +1 401 737 8380  
americas@ayvaz.com