



PRESSURE FIXING CONTROL VALVE

GENERAL FEATURES

Pressure fixing control valves are designed to hold the input pressure constant. When the system pressure above the adjustment pressure, valve opens to remain constant inlet pressure. It keeps the input pressure constant without being affected by pressure fluctuations. It is installed at the outlet of the filter in the filtration systems, and enables the system to perform effective backwash.

Technical Specification

- Working with line pressure and not need extra energy
- Easy maintenance
- Classification according to importance of pressure zones
- Line-controlled filling of sloping systems
- Pressure stabilization without affecting the pressure and flow changes in the system

Adjustment

After the water is supplied to the system, if the value displayed on the manometer is below the desired pressure, turn the adjusting bolt clockwise to increase the input pressure. If the value indicated by the manometer is above the desired pressure value, the adjusting bolt is turned counterclockwise and adjusted to the desired pressure. After this, tighten the nut under the adjusting bolt and fix the adjusting bolt.

Installation

- The valve can be install in horizontal / vertical position.

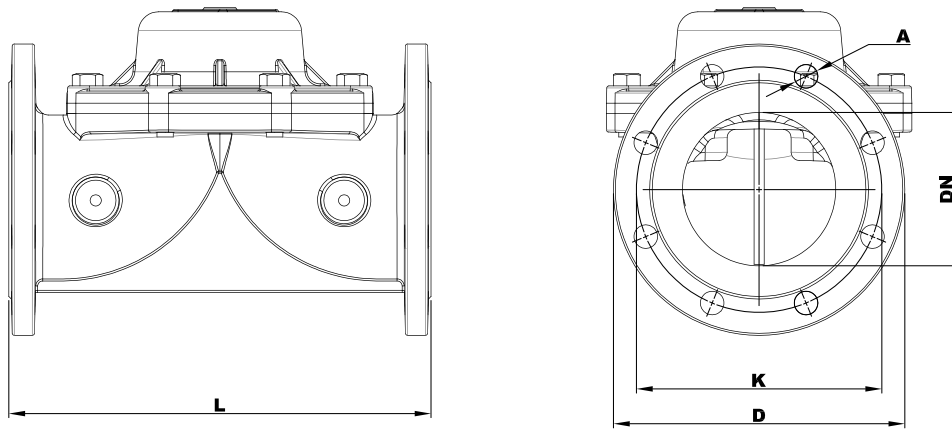
Valve Selection

$$D = \sqrt{\frac{250 \times Q}{\sqrt{Hm}}}$$

D: Draining Pressure Control Valve (mm)
Q: System Flow (m³/h)
Hm: System Operating Pressure (mSS)

PRODUCT SPECIFICATIONS	
Body	GG-25 Cast Iron
Diaphragm	Cord Scrim Reinforced Natural Rubber
Cover	GG-25 Cast Iron
Diaphragm Pressure Ring	Polyamide
Spring	SST 302
Max. Working Pressure (bar)	16
Max. Working Temperature (°C)	80
Connection Type	Flanged

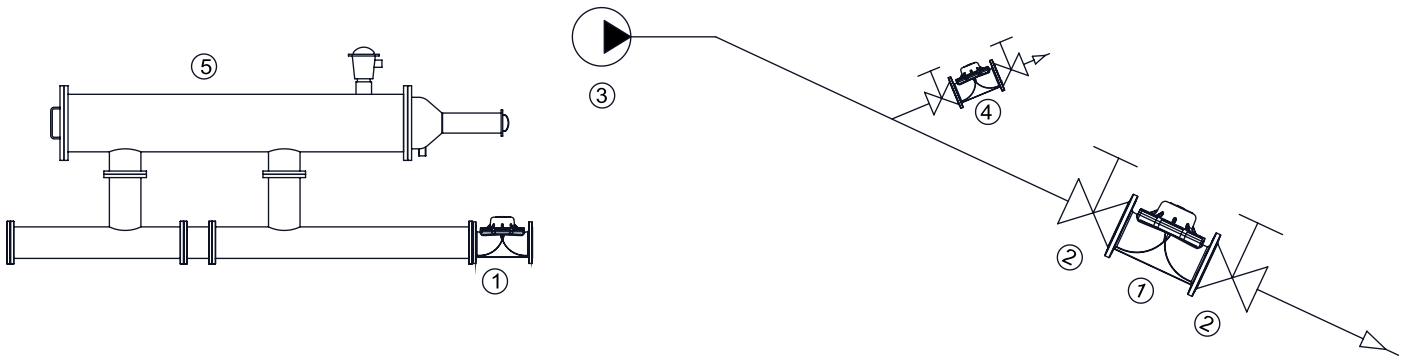
PRESSURE FIXING CONTROL VALVE



DIMENSIONS (mm)					
DN	L	D	K	A	Number of Holes
50	205	165	125	19	4
65	205	185	145	19	4
80	290	200	160	19	8
100	300	220	180	19	8
125	330	250	210	19	8
150	415	285	240	23	8
200	475	340	295	23	12
250	475	405	355	28	12
300	525	460	410	28	12

SAMPLE INSTALLATION

1. Pressure Fixing Valve
2. Isolation Valve
3. Pump
4. Line Valve
5. Otomatic Filter



HEAD OFFICE - FACTORY

Atatürk Sanayi Bölgesi Hadımköy Mahallesi Mustafa İnan Caddesi No: 44 Arnavutköy - İSTANBUL
 Tel: +90 212 771 01 45 (pbx) | Fax: +90 212 771 47 27
 info@ayvaz.com | www.ayvaz.com

Cona
Caserta/Italy
 Tel: +39 0823 187 3988
 rmolaro@ayvaz.com

Ayvaz Germany
Viernheim/Germany
 Tel: +49 62046014399
 germany@ayvaz.com

Ayvaz Ukraine
Kiev/Ukraine
 Tel: +380 44 390 57 57
 info@ayvaz.com.ua

Tricorr
Warsaw/Poland
 Tel: +48 530 030 810
 +48 533 603 335
 tricorr@tricorr.eu

Ayvaz Azerbaijan
Baku/Azerbaijan
 Tel: +99 (455) 579-84-32
 ahayatov@ayvaz.com

Ayvaz Egypt
Cairo/Egypt
 Tel: +20 122 819 78 29
 andrew.eid@ayvaz.com

Ayvaz Gulf
Dubai/U.A.E
 Tel: +971 563550822
 +971 501306871
 mideast@ayvaz.com

Ayvaz China
Ningbo/China
 Tel: +86 152 5830 7361
 msahin@ayvaz.com

Ayvaz Kazakhstan LLP
Almaty/Kazakhstan
 Tel: +7 (727) 327 97 57
 info_kz@ayvaz.com

Ayvaz N
İsperih/Bulgaria
 Tel: +359 8431 27 32
 office@ayvaz-n.eu

Ayvaz Serbia
Belgrade/Serbia
 Tel: +381 61 658 70 52
 yakbiyik@ayvaz.com

Ayvaz Vietnam
HCMC/Vietnam
 Tel: +84 89 8508345

Ayvaz Americas
Rhode Island/USA
 Tel: +1 401 737 8380
 americas@ayvaz.com