



PRESSURE FIXING AND BREAKING CONTROL VALVE

GENERAL FEATURES

The pressure fixing and breaking control valves are control valves that allow the input and output pressure to be adjusted in downward sloping systems. It allows the system to operate at normal values by regulating excessive flow and high pressure in down slope systems. It keeps the output pressure constant without being affected by pressure fluctuations.

Technical Specifications

- Works with line pressure and does not need extra energy
- Easy and precise adjustment with desired pressure
- Can work without being affected by pressure and flow changes in the system
- Easy maintenance

Adjustment

The inlet pressure is set by the pilot connected to the inlet on the valve. Turning the adjustment bolt clockwise increases the input pressure and the counterclockwise rotation reduces the input pressure. The output pressure is adjusted with the pilot connected to the outlet on the valve. Turning the adjustment bolt clockwise increases the output pressure and counterclockwise rotation reduces the output pressure.

Installation

-The valve can be install in horizontal / vertical position.

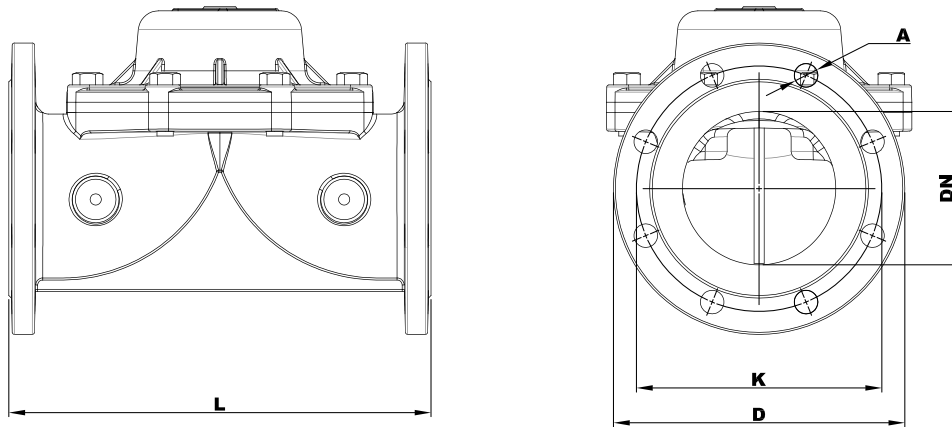
Valve Selection

$$D = \sqrt{\frac{250 \times Q}{\sqrt{Hm}}}$$

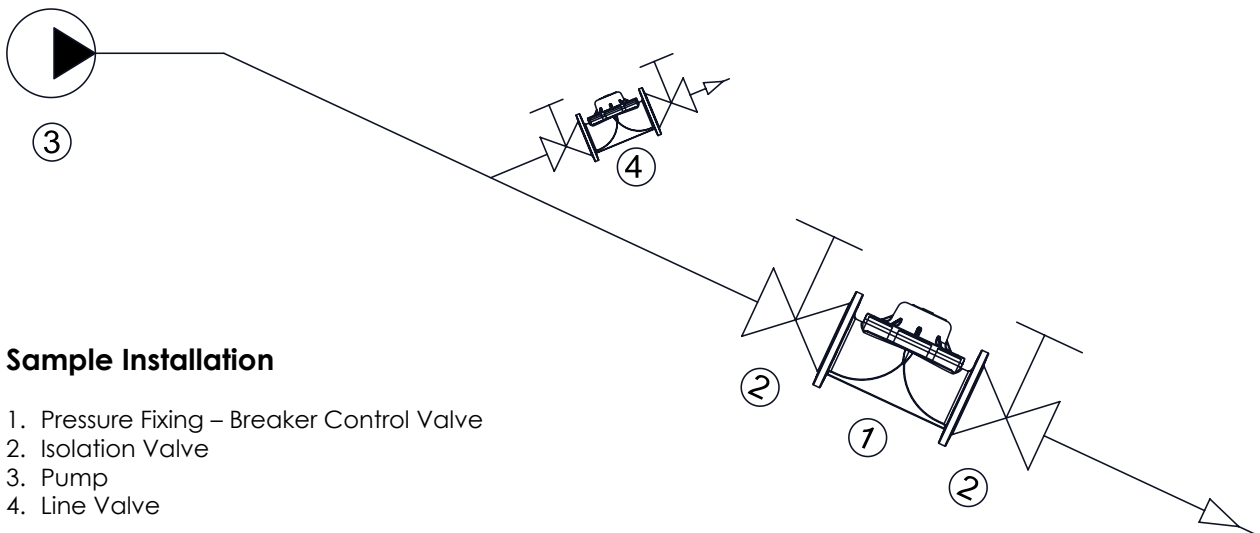
D: Draining Pressure Control Valve (mm)
Q: System Flow (m³/h)
Hm: System Operating Pressure (mSS)

PRODUCT SPECIFICATIONS	
Body	GG-25 Cast Iron
Diaphragm	Cord Scrim Reinforced Natural Rubber
Cover	GG-25 Cast Iron
Diaphragm Pressure Ring	Polyamide
Spring	SST 302
Max. Working Pressure (bar)	16
Max. Working Temperature (°C)	80
Connection Type	Flanged

PRESSURE FIXING AND BREAKING CONTROL VALVE



DIMENSIONS (mm)					
DN	L	D	K	A	Number of Holes
50	205	165	125	19	4
65	205	185	145	19	4
80	290	200	160	19	8
100	300	220	180	19	8
125	330	250	210	19	8
150	415	285	240	23	8
200	475	340	295	23	12
250	475	405	355	28	12
300	525	460	410	28	12



Sample Installation

1. Pressure Fixing – Breaker Control Valve
2. Isolation Valve
3. Pump
4. Line Valve



HEAD OFFICE - FACTORY

Atatürk Sanayi Bölgesi Hadımköy Mahallesi Mustafa İnan Caddesi No: 44 Arnavutköy – İSTANBUL
 Tel: +90 212 771 01 45 (pbx) | Fax: +90 212 771 47 27
 info@ayvaz.com | www.ayvaz.com

Cona
Caserta/Italy
 Tel: +39 0823 187 3988
 rmolaro@ayvaz.com

Ayvaz Germany
Viernheim/Germany
 Tel: +49 62046014399
 germany@ayvaz.com

Ayvaz Ukraine
Kiev/Ukraine
 Tel: +380 44 390 57 57
 info@ayvaz.com.ua

Tricorr
Warsaw/Poland
 Tel: +48 530 030 810
 +48 533 603 335
 tricorr@tricorr.eu

Ayvaz Azerbaijan
Baku/Azerbaijan
 Tel: +99 (455) 579-84-32
 ahayatov@ayvaz.com

Ayvaz Egypt
Cairo/Egypt
 Tel: +20 122 819 78 29
 andrew.eid@ayvaz.com

Ayvaz Gulf
Dubai/U.A.E
 Tel: +971 563550822
 +971 501306871
 mideast@ayvaz.com

Ayvaz China
Ningbo/China
 Tel: +86 152 5830 7361
 msahin@ayvaz.com

Ayvaz Kazakhstan LLP
Almaty/Kazakhstan
 Tel: +7 (727) 327 97 57
 info_kz@ayvaz.com

Ayvaz N
İsperih/Bulgaria
 Tel: +359 8431 27 32
 office@ayvaz-n.eu

Ayvaz Serbia
Belgrade/Serbia
 Tel: +381 61 658 70 52
 yakbiyik@ayvaz.com

Ayvaz Vietnam
HCMC/Vietnam
 ggursoy@ayvaz.com
 Tel: +84 89 8508345

Ayvaz Americas
Rhode Island/USA
 Tel: +1 401 737 8380
 americas@ayvaz.com