



KV-14

BUTTERFLY VALVE/LUG TYPE

GENERAL FEATURES

The closing element in the butterfly valves is a rotating shaft that is placed on a vertical axis. The sealing is provided between the metal flap and the elastic or plastic sealing elements covering the inside of the body. The sealing element also serves as a flange seal between the valve and the pipe.

Advantages of such valves are; low pressure loss, easy opening and closing, good sealing, light weight and small footprint.

The Ayvaz KV-14 Lug Type Butterfly Valves should be checked to see if they are moving freely during the installation. The valve stem may be horizontal or vertical. However, horizontal installation on DN300 should be preferred.

Product Features:

Body: GGG 40.3 Cast Iron

Disc: AISI 316 Stainless Steel

Stem: AISI 416 Stainless Steel

Max. Working Temperature: 110 °C

Connection: Lug Type

Application Areas

- Heating, ventilating and air conditioning systems
- Water treatment and distributing systems
- Mining industry
- Shipbuilding and drilling plant
- Food and chemistry industries
- Fire extinguisher systems
- Water, sea water, dust, gas, waste water and air

Notes:

It is recommended to use reducer type for all diameters. There are only reducer type production on DN350 and above Butterfly valves.

Actuator Types

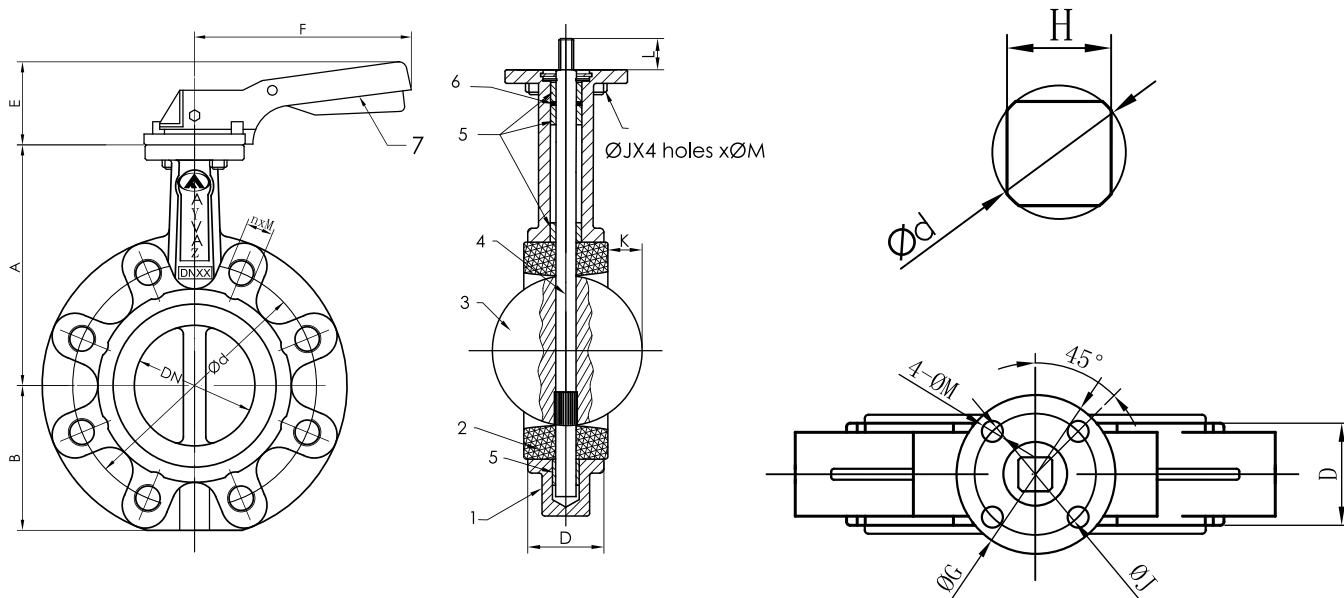
- Hand operated
- Reducer
- Single Action Pneumatic Actuator
- Double Action Pneumatic Actuator
- With Electric Actuator / On-Off (Manual Arm)

Pressure Class	Diameter (mm)
PN16	DN (40-300)

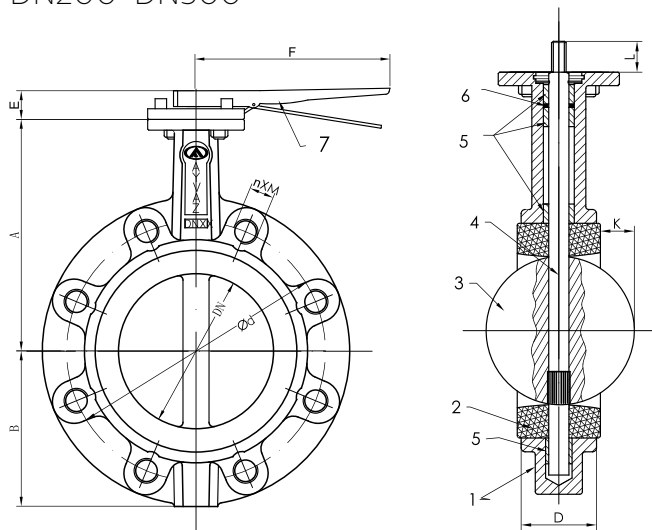
Gasket Material	Min. Temp. (°C)	Max. Temp. (°C)
EPDM	-10	110 (Opt. 130)

KV-14 BUTTERFLY VALVE/LUG TYPE

DN40-DN150



DN200-DN300

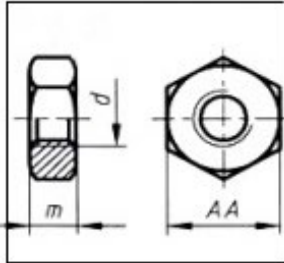


Material List		
1	Body	EN-GJL 400-18
2	Gasket	EPDM
3	Disc	AISI 316
4	Shaft	SS 416
5	Ring	Teflon
6	O-Ring	EPDM
7	Lever	Aluminium / Forged Iron

DN	A	B	K	D	E	F	H	ØJ	ØG	L _{min}	ØM	Ød	PN16		Weight (kg)
	±2	±2	±2	±1	±1	±1	±0.5	±1	±1	±1	±1	±0.5	Ød	n x d1	
40	130	61	2.65	33	70	195	9x9	50	65	32	7	11,8	110	4xM16	3
50	136,5	77	2.9	43	70	195	9x9	50	65	32	7	11,8	125	4xM16	3,5
65	142	87,5	6.9	46	70	195	9x9	50	65	32	7	11,8	145	4xM16	4,2
80	158	95	14.5	46	70	195	9x9	50	65	32	7	11,8	160	8xM16	5,5
100	180	107	23.7	52	70	195	11x11	50	65	32	7	14,5	180	8xM16	6,7
125	192	121,5	32.3	56	71	278	14x14	70	90	42	9	18,9	210	8xM16	9,6
150	215	144	48	56	71	278	14x14	70	90	42	9	18,9	240	8xM20	11,6
200	241,5	171	68.7	60	40	355	17x17	102	125	36	11	22,5	295	12xM20	18,7
250	280	205	88.8	62	44	507	22x22	125	150	38	13	29,8	355	12xM24	31,5
300	310	235	109.8	78	44	507	27x27	125	150	38	13	31,6	410	12xM24	43

KV-14 BUTTERFLY VALVE/LUG TYPE

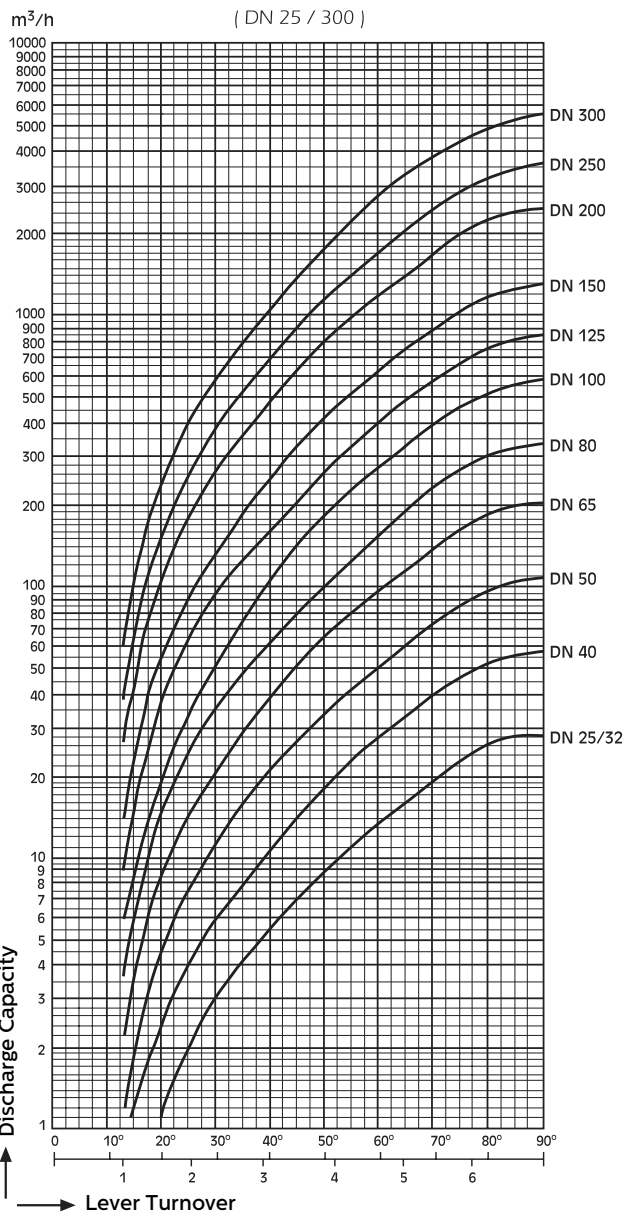
Screw Connection Dimensions



d (mm)	M10	M12	M16	M20	M24
AA	17	19	24	30	36
m	8	10	13	16	19

Dia. mm	Torque (Nm)	
	10 Bar	16 Bar
40	11	12
50	15	16
65	24	26
80	31	33
100	48	53
125	73	81
150	106	119
200	177	194
250	281	308
300	410	595

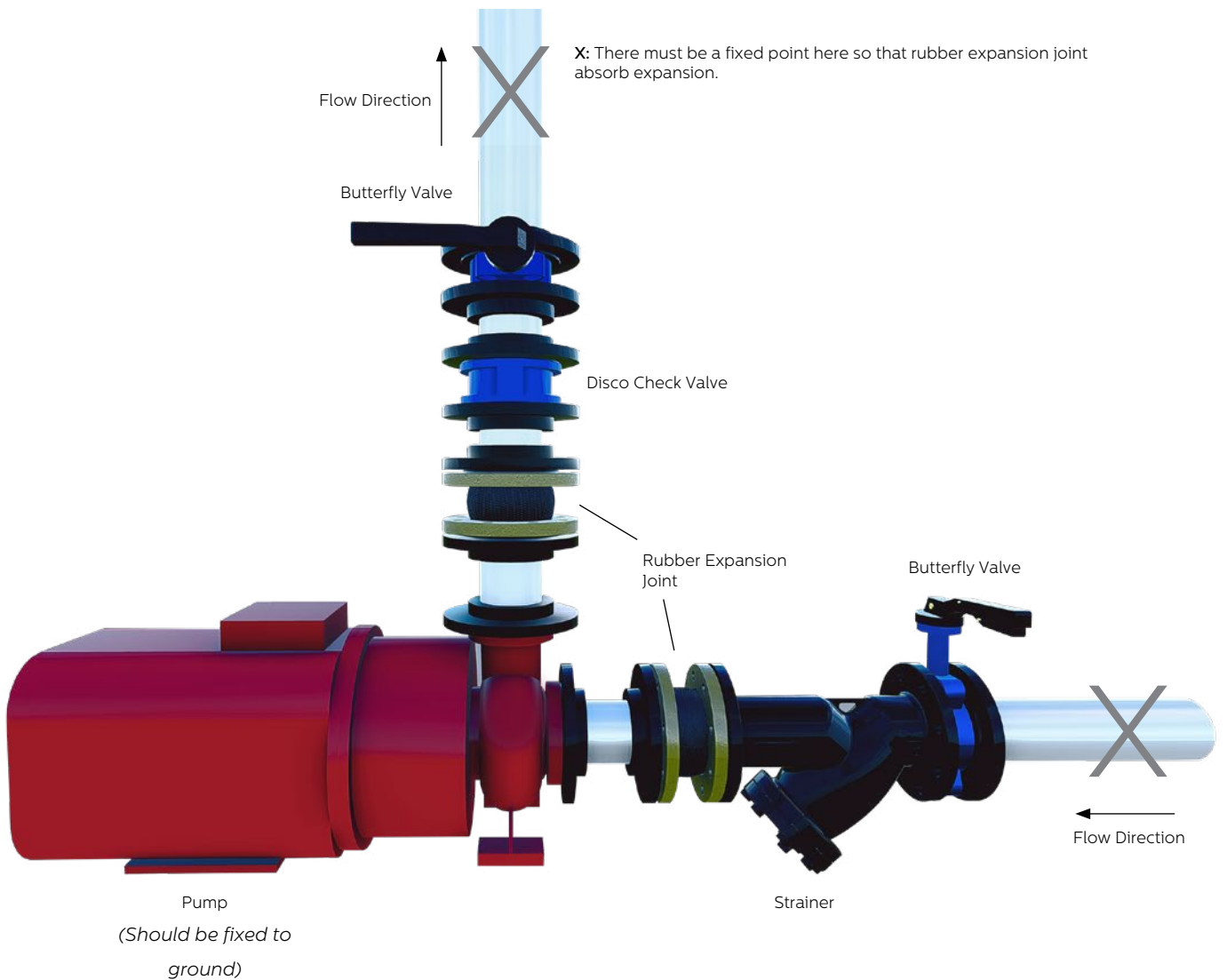
Discharge Amount



Pipe Diameter		DISC OPENING ANGLE(DEGREE)								
MM	INS	10	20	30	40	50	60	70	80	90
40	1½	0,048	2,4	5,6	12	21,6	35,2	56	84	92
50	2	0,06	3	7	15	27	44	70	105	115
65	2½	0,10	6	12	25	45	75	119	178	196
80	3	0,20	9	18	39	70	116	183	275	302
100	4	0,30	17	36	78	139	230	364	546	600
125	5	0,50	29	61	133	237	392	620	930	1022
150	6	0,80	45	95	205	366	605	958	1437	1579
200	8	2	89	188	408	727	1202	1903	2854	3136
250	10	3	151	320	694	1237	2047	3240	4859	5340
300	12	4	234	495	1072	1911	3162	5005	7507	8250

KV-14 BUTTERFLY VALVE/LUG TYPE

3D APPLICATION SAMPLE- 2



HEAD OFFICE - FACTORY

Atatürk Sanayi Bölgesi Hadımköy Mahallesi Mustafa İnan Caddesi No: 44 Arnavutköy - İSTANBUL
 Tel: +90 212 771 01 45 (pbx) | Fax: +90 212 771 47 27
 info@ayvaz.com | www.ayvaz.com

Cona Caserta/Italy

Tel: +39 0823 187 3988
 rmolaro@ayvaz.com

Ayvaz Germany Viernheim/Germany

Tel: +49 62046014399
 germany@ayvaz.com

Ayvaz Ukraine Kiev/Ukraine

Tel: +380 44 390 57 57
 info@ayvaz.com.ua

Tricorr Warsaw/Poland

Tel: +48 530 030 810
 +48 533 603 335
 tricorr@tricorr.eu

Ayvaz Azerbaijan Baku/Azerbaijan

Tel: +99 (455) 579-84-32
 ahayatov@ayvaz.com

Ayvaz Egypt Cairo/Egypt

Tel: +20 122 819 78 29
 andrew.eid@ayvaz.com

Ayvaz Gulf Dubai/U.A.E

Tel: +971 563550822
 +971 501306871
 mideast@ayvaz.com

Ayvaz China Ningbo/China

Tel: +86 152 5830 7361
 msahin@ayvaz.com

Ayvaz Kazakhstan LLP Almaty/Kazakhstan

Tel: +7 (727) 327 97 57
 info_kz@ayvaz.com

Ayvaz N Ispirih/Bulgaria

Tel: +359 843127 32
 office@ayvaz-n.eu

Ayvaz Serbia Belgrade/Serbia

Tel: +381 61 658 70 52
 yakbiyik@ayvaz.com

Ayvaz Vietnam HCMC/Vietnam

Tel: +84 89 8508345

Ayvaz Americas Rhode Island/USA

Tel: +1 401 737 8380
 americas@ayvaz.com