



# HPBV

## HIGH PERFORMANCE BUTTERFLY VALVE

### GENERAL FEATURES

In butterfly valves, the closing element is a rotating disc located on the vertical axis. When assembled, it rotates around its axis, forming a disc that opens or closes the full pipe section.

The advantages of such valves are; low pressure losses, easy opening and closing, good sealing, light weight and small footprint.

While Ayzav HPBV High Performance Butterfly Valves are being mounted, it should be checked whether the disc moves freely. Valve shaft can be in horizontal or vertical position.

#### Materials

**Body:** ASTM A216 WCB

**Clape:** AISI316

**Stem:** AISI410

**Connections:** Wafer, Lug, Flanged

**Temperature Range:** Max 400 °C

**Pressure Class:** Class 150- 300

#### Applications

- Saturated Steam
- Superheated steam
- Gas
- Petroleum and Derivatives
- Water
- Air
- Various Chemical fluids
- Acid

#### Industries

- Petrochemical plants
- Refineries
- Power Plants
- Iron and Steel Factories
- Sugar Factories
- Chemical Facilities
- Food factories
- Paper Mills
- Boiler manufacturers
- Mining Facilities
- Cement Factories
- Fertilizer Plants

# HPBV HIGH PERFORMANCE BUTTERFLY VALVE

## Design Standards

- API600

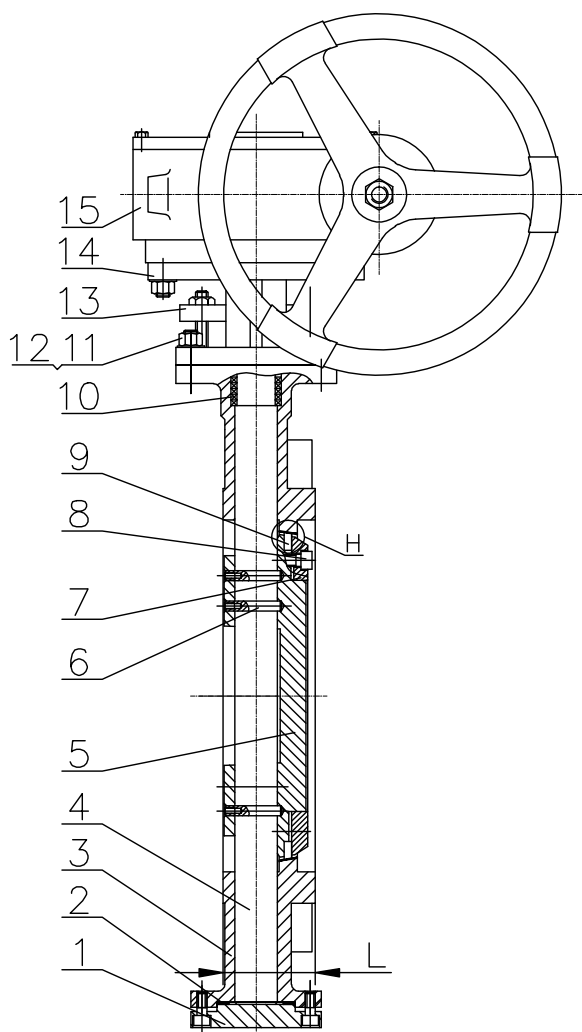
## Connection Standards

- Wafer & Lug: ANSI B16.5(RF)

- Flanged: ANSI B16.5(RF)

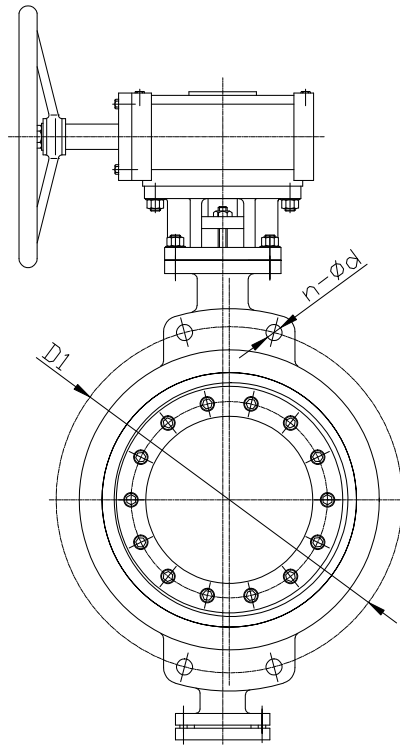
## Test Standard

- API598



PART LIST		
No	Part	HPBV-10/20
1	Cover	A216 WCB
2	Cover Gasket	SS304+Graphite
3	Body	A216 WCB
4	Stem	17-4PH
5	Disc	A351 CF8M
6	Pim	A193 B8
7	Seat	A182 F316
8	Seat Bolt	A193 B8M
9	Disc Sealing	SS316+Graphite
10	Seal	Graphite
11	Cover Bolt	A193 B7
12	Cover Nut	A194 2H
13	Seal Flange	A216 WCB
14	Bushing	A216 WCB
15	Reduction	Carbon Steel

# HPBV HIGH PERFORMANCE BUTTERFLY VALVE



HPBV CLASS 150				
DIA	DN	D1	n - ød	L
2"	50	120,7	4-ø19	43
2 1/2"	65	139,7	4-ø19	46
3"	80	152,4	4-ø19	49
4"	100	190,5	8-ø19	56
5"	125	215,9	8-ø22	64
6"	150	241,3	8-ø22	70
8"	200	298,5	8-ø22	71
10"	250	362	12-ø25	76
12"	300	431,8	12-ø25	83
14"	350	476,3	12-ø29	92
16"	400	539,8	12-ø29	102

HPBV CLASS 300				
DIA	DN	D1	n - ød	L
2"	50	127	8-ø19	43
2 1/2"	65	149	8-ø22	46
3"	80	168,5	8-ø22	49
4"	100	200	8-ø22	56
5"	125	235	8-ø22	64
6"	150	270	12-ø22	70
8"	200	330	12-ø25	71
10"	250	387,5	16-ø29	76
12"	300	451	16-ø32	83
14"	350	451	20-ø32	92
16"	400	451	20-ø35	102



HEAD OFFICE - MAIN FACTORY  
Atatürk Sanayi Bölgesi Hadımköy Mahallesi  
Mustafa İnan Caddesi No: 44 Arnavutköy - İSTANBUL  
Tel: +90 212 771 01 45 (pbx) | Fax: +90 212 771 47 27  
info@ayvaz.com | www.ayvaz.com



Cona  
Caserta / Italy  
Tel : +39 0823 187 3988  
rmolaro@ayvaz.com



Ayvaz Ukraine  
Kiev / Ukraine  
Tel : +380 44 390 57 57  
info@ayvaz.com.ua



Tricorr  
Warsaw / Poland  
Tel : +48-32-783-295-1  
tricorr@tricorr.eu



Ayvaz Germany  
Viernheim / Germany  
Tel : +49 62046014399  
germany@ayvaz.com



Ayvaz Serbia  
Belgrade / Serbia  
Tel : +381 61 658 70 52  
yakbijik@ayvaz.com



Ayvaz Azerbaijan  
Baku / Azerbaijan  
Tel : +99(455)579-84-32  
ahayatov@ayvaz.com



Ayvaz Kazakhstan LLP  
Almaty / Kazakhstan  
Tel : +7 (727) 327 97 57  
www.ayvaz.kz



Ayvaz N  
Ispereh / Bulgaria  
Tel : +359 8431 27 32  
office@ayvaz-n.eu



Ayvaz Vietnam  
HCMC / Vietnam  
Tel : +84 89 8508345  
ggursoy@ayvaz.com



Ayvaz China  
Ningbo / China  
Tel : +86 152 5830 7361  
msahin@ayvaz.com



Ayvaz Egypt  
Cairo / Egypt  
Tel : +20 122 819 78 29  
andrew.eid@ayvaz.com



Ayvaz Gulf  
Dubai / U.A.E.  
Tel : +971 563550822  
+971 501306871  
mideast@ayvaz.com



Ayvaz Americas  
Rhode Island  
Tel : +1 401 737 8380  
americas@ayvaz.com