



FBAV

BALL VALVE

GENERAL FEATURES

In ball valves, the essential element is a sphere with a hole in the middle. In the 90° rotation of this sphere, it is passed from the fully open position to the fully closed position. Ball valves are primarily used in places that open and close a lot or where it is required to open and close quickly. Its advantages are low pressure losses, easy opening and closing, good sealing, light weight and small footprint. Sealing; It consists of two stages as the sealing of the ball and the sealing of the shaft.

Material

Body: A105/A182 F316

Sphere: AISI316

Connections: Threaded, Socket-Butt
Welded

Nominal Diameter: DN15 (1/2") -
DN50 (2")

Pressure Class: Class 800, Class 150

Temperature Range: From -25°C'den
250°C according to material structure.

Applications

- Heating-cooling lines
- food facilities
- Chemical industry
- Ship constructions
- Paper mills

Control

With Arm, Gearbox, Electric-
Pneumatic Actuator

FBAV CAST STEEL BALL VALVE

Design

Design Standard:

- NSI B16.34

Connection:

- ANSI B16.11(SW)
- ANSI B1.20.1(NPT)
- ANSI B16.25(BW)

Test Standard:

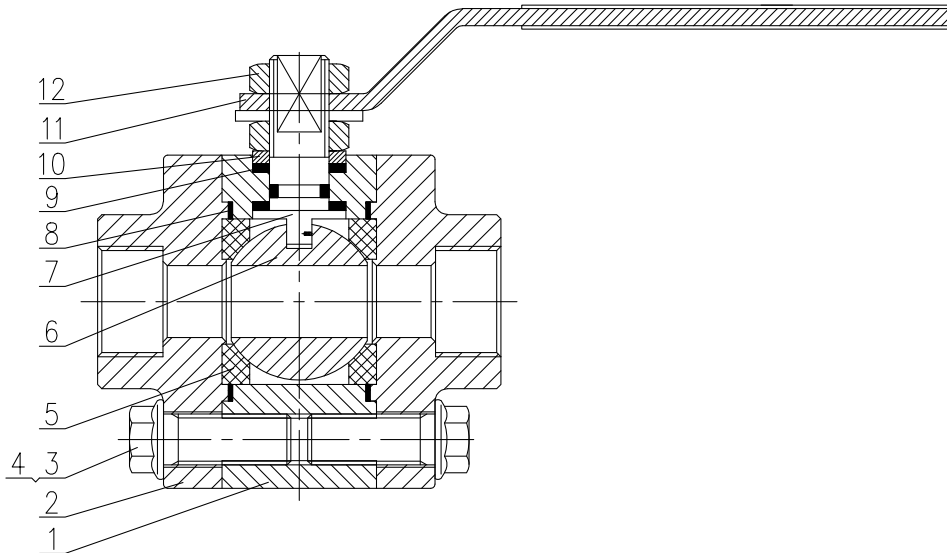
- API598

Size:

- DN15(1/2") - DN50(2")

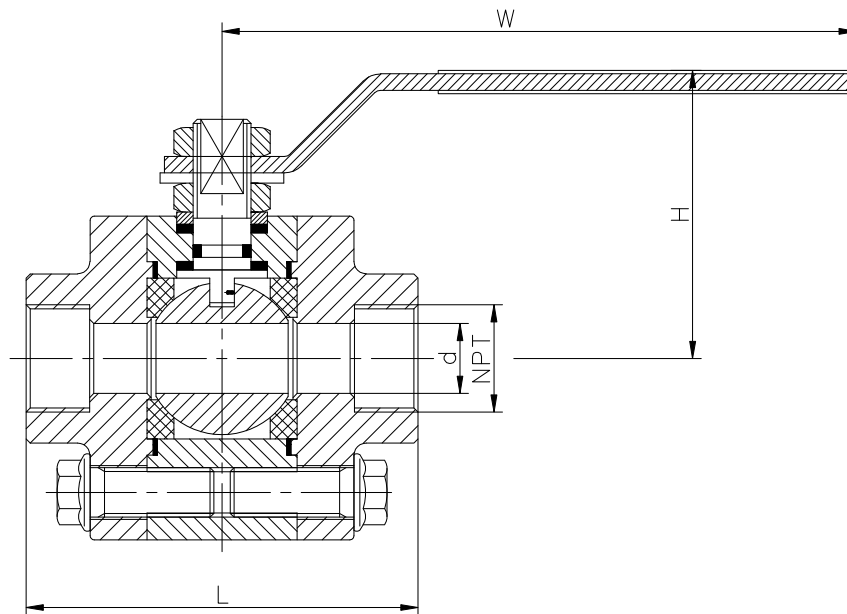
Pressure Class:

- Class 800 - Class 1500



STANDARD MODELS PART LIST			
NO	Part	FBAV-10	FBAV-20
1	Body	A105	A182 F316
2	Cover	A105	A182 F316
3	Cover Bolt	A193 B7	A193 B8
4	Cover Nut	A194 2H	A194 8
5	Seat	RPTFE	RPTFE
6	Sphere	SS316	SS316
7	Stem	A276 316	A276 316
8	Cover Gasket	SS316+Graphite	SS316+Graphite
9	Seal	Graphite	Graphite
10	Seal Flange	A105	A182 F316
11	Lever	Carbon Steel	Carbon Steel
12	Stem Nut	Carbon Steel	Stainless Steel

FBAV CAST STEEL BALL VALVE



FBAV CLASS 800 (SW, BW, NPT)					
DIA	DN	d	L	H	W
1/2"	15	13	92	68	130
3/4"	20	18	111	75	160
1"	25	24	127	92	220
1 1/4"	32	30	140	112	250
1 1/2"	40	38	152	118	250
2"	50	49	178	128	290

FBAV CLASS 1500 (SW, BW, NPT)					
DIA	DN	d	L	H	W
1/2"	15	13	92	68	130
3/4"	20	18	111	75	160
1"	25	24	127	92	220
1 1/4"	32	30	140	112	250
1 1/2"	40	38	152	118	250
2"	50	49	178	128	290



HEAD OFFICE - MAIN FACTORY
Atatürk Sanayi Bölgesi Hadımköy Mahallesi
Mustafa İnan Caddesi No: 44 Arnavutköy - İSTANBUL
Tel: +90 212 771 01 45 (pbx) | Fax: +90 212 771 47 27
info@ayvaz.com | www.ayvaz.com



Cona
Caserta / Italy
Tel : +39 0823 187 3988
rmolaro@ayvaz.com



Ayvaz Ukraine
Kiev / Ukraine
Tel : +380 44 390 57 57
info@ayvaz.com.ua



Tricorr
Warsaw / Poland
Tel : +48-32-783-295-1
tricorr@tricorr.eu



Ayvaz Germany
Viernheim / Germany
Tel : +49 62046014399
germany@ayvaz.com



Ayvaz Serbia
Belgrade / Serbia
Tel : +381 61 658 70 52
yakbijik@ayvaz.com



Ayvaz Azerbaijan
Baku / Azerbaijan
Tel : +99(455)579-84-32
ahayatov@ayvaz.com



Ayvaz Kazakhstan LLP
Almaty / Kazakhstan
Tel : +7 (727) 327 97 57
www.ayvaz.kz



Ayvaz N
Ispereh / Bulgaria
Tel : +359 8431 27 32
office@ayvaz-n.eu



Ayvaz Vietnam
HCMC / Vietnam
Tel : +84 89 8508345
ggursoy@ayvaz.com



Ayvaz China
Ningbo / China
Tel : +86 152 5830 7361
msahin@ayvaz.com



Ayvaz Egypt
Cairo / Egypt
Tel : +20 122 819 78 29
andrew.eid@ayvaz.com



Ayvaz Gulf
Dubai / U.A.E.
Tel : +971 563550822
+971 501306871
mideast@ayvaz.com



Ayvaz Americas
Rhode Island
Tel : +1 401 737 8380
americas@ayvaz.com