



CV-30/33/35

WAFER TYPE SWING CHECK VALVE

GENERAL FEATURES

Ayvaz CV-30/33/35 check valve is using reinforced spring technology, full closure is provided on the disc. This provides installation in every direction. Pressure losses are minimized to ensure maximum flow.

Check valves are designed to work with minimum flow limitation. The way the double spring half discs work in the pipeline; the rubber-coated disc provides a positive seal against any backflow and prevents sound by flexible seat.

Ayvaz CV-30/33/35 valves are light and provide more flexibility. The compact design features easy installation, good flow characteristics, low pressure loss and vertical and horizontal installation possibilities.

Connection:
Wafer type

Nominal Diameter:
DN32 (1 1/4") - DN300 (12")

07.2018

Applications:

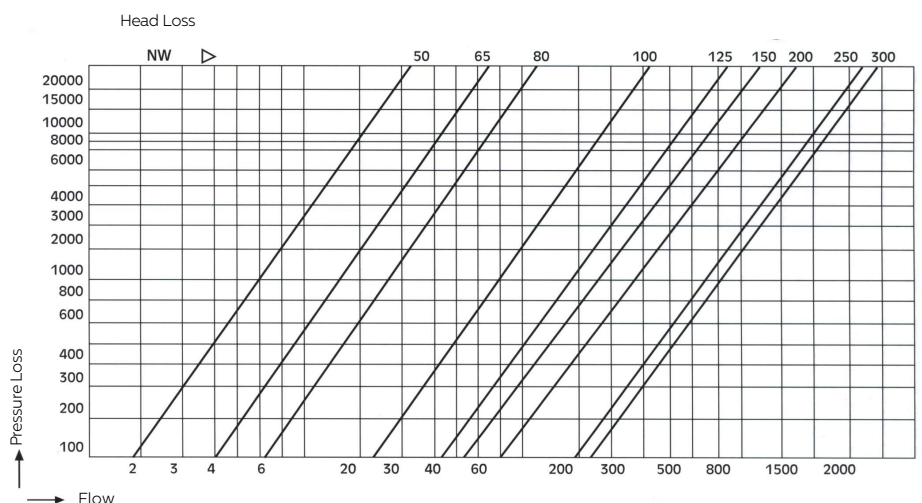
- Water lines
- Distribution lines
- Paper factories
- Shipyards and ship constructions
- Heating, cooling and air conditioning systems
- High frequency lines
- Ship mechanical and cooling systems
- Mineral and oil industry
- The textile industry
- Pumps

Pressure::

Max. 16 bar

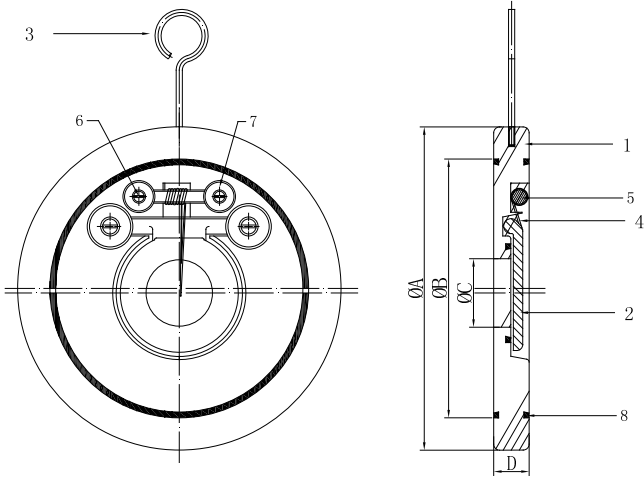
Temperature Range:

Based on the material from -10 °C to 100 °C



CV-30/33/35 WAFER TYPE SWING CHECK VALVE

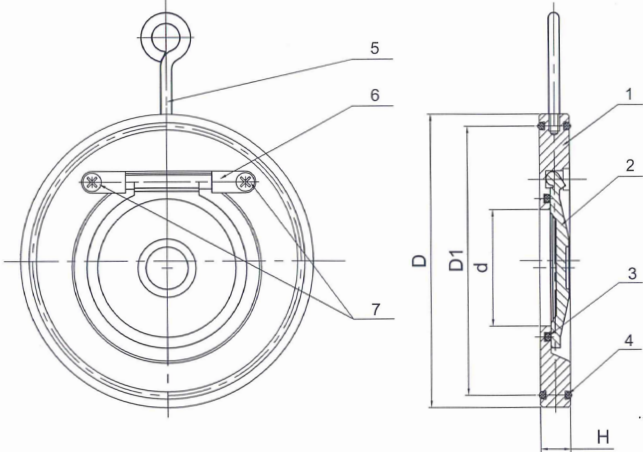
CV-30



DN	ØA	ØB	ØC	D
mm	mm	mm	mm	mm
32	85	72	18	14
40	94	80	22	14
50	109	91	32	14
65	129	111	40	14
80	144	119	54	14
100	164	147	70	18
125	194	171	92	18
150	220	200	112	20
200	275	256	154	22
250	330	302	192	26
300	380	352	227	32

No	Part	Material
1	Body	SS316
2	Disc	SS316
3	Bolt	SS316
4	Spring	SS316
5	Pin	SS316
6	Screw	SS316
7	Disc Bearing	SS316
8	O-Ring	EPDM

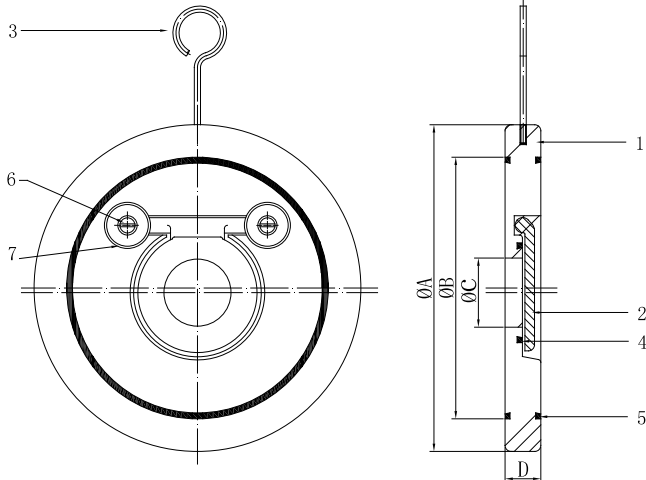
CV-33



DN	d	D	D1	H	Kg
mm	mm	mm	mm	mm	
32	20	76	59	12	0,32
40	25	85	68	12	0,52
50	32	105	84	14	0,79
65	40	124	96	14	1,10
80	54	136	117,5	14	1,30
100	70	164	148	18	2,26
125	92	194	166	18	3,15
150	114	220	197	20	4,54
200	154	275	249	22	7,65
250	200	330	310	26	12,63
300	230	380	358	30	19,95

No	Part	Material
1	Body	CF8M
2	Disc	CF8M
3	O-Ring	Viton
4	O-Ring	Viton
5	Hook	SS304
6	Mil Stoper	SS316
7	Disc Bearing	SS316

CV-35



DN	ØA	ØB	ØC	D
mm	mm	mm	mm	mm
32	85	72	18	14
40	94	80	22	14
50	109	91	32	14
65	129	111	40	14
80	144	119	54	14
100	164	147	70	18
125	194	171	92	18
150	220	200	112	20
200	275	256	154	22
250	330	302	192	26
300	380	352	227	32

No	Part	Material
1	Body	Carbon St.
2	Disc	Carbon St.
3	Civata	Carbon St.
4	O-Ring	Carbon St.
5	O-Ring	EPDM
6	Screw	EPDM
7	Disc Bearing	Carbon St.

CV-30/33/35 WAFER TYPE SWING CHECK VALVE

WAFER TYPE SWING CHECK VALVE



HEAD OFFICE - FACTORY

Atatürk Sanayi Bölgesi Hadımköy Mahallesi Mustafa İnan Caddesi No: 44 Arnavutköy - İSTANBUL
Tel: +90 212 771 01 45 (pbx) | Fax: +90 212 771 47 27
info@ayvaz.com | www.ayvaz.com

Cona Caserta/Italy

Tel: +39 0823 187 3988
rmolaro@ayvaz.com

Ayvaz Germany Viernheim/Germany

Tel: +49 62046014399
germany@ayvaz.com

Ayvaz Ukraine Kiev/Ukraine

Tel: +380 44 390 57 57
info@ayvaz.com.ua

Tricorr Warsaw/Poland

Tel: +48 530 030 810
+48 533 603 335
tricorr@tricorr.eu

Ayvaz Azerbaijan Baku/Azerbaijan

Tel: +99 (455) 579-84-32
ahayatov@ayvaz.com

Ayvaz Egypt Cairo/Egypt

Tel: +20 122 819 78 29
andrew.eid@ayvaz.com

Ayvaz Gulf Dubai/U.A.E

Tel: +971 563550822
+971 501306871
mideast@ayvaz.com

Ayvaz China Ningbo/China

Tel: +86 152 5830 7361
msahin@ayvaz.com

Ayvaz Kazakhstan LLP Almaty/Kazakhstan

Tel: +7 (727) 327 97 57
info_kz@ayvaz.com

Ayvaz N Ispirih/Bulgaria

Tel: +359 8431 27 32
office@ayvaz-n.eu

Ayvaz Serbia Belgrade/Serbia

Tel: +381 61 658 70 52
yakbiyik@ayvaz.com

Ayvaz Vietnam HCMC/Vietnam

Tel: +84 89 8508345

Ayvaz Americas Rhode Island/USA

Tel: +1 401 737 8380
americas@ayvaz.com