

CV11

CHECK VALVES

GENERAL FEATURES

Check valves are commonly used armatures that can be applied for liquid, gaseous and steam applications. They increase the process safety and can be used instead of complicated armatures. Because of short installation time and installation distance, small dimensions; Ayvaz disco check valve appears to be advantageous.

Check valves provide the flows just one way. When liquid flows through to flowing direction, check valves open and let it pass. But liquid tries to flow opposite direction of flowing, check valves close and prevent passing.

Connection:
Wafer type

Installation:
Installation can be done every position.

Typical Applications

Heating, airconditioning pipe lines
Wood-working, pulp and paper industry
Iron and steel industry, mining industry
Mineral-oil industry
Textile industry
Ship building
Water, condensate and steam lines

Technical Specifications	
Max. Working Pressure	16 bar
Max. Working Temperature	250°C

Diameters	
DN (mm)	inch
125-200	5" - 10"

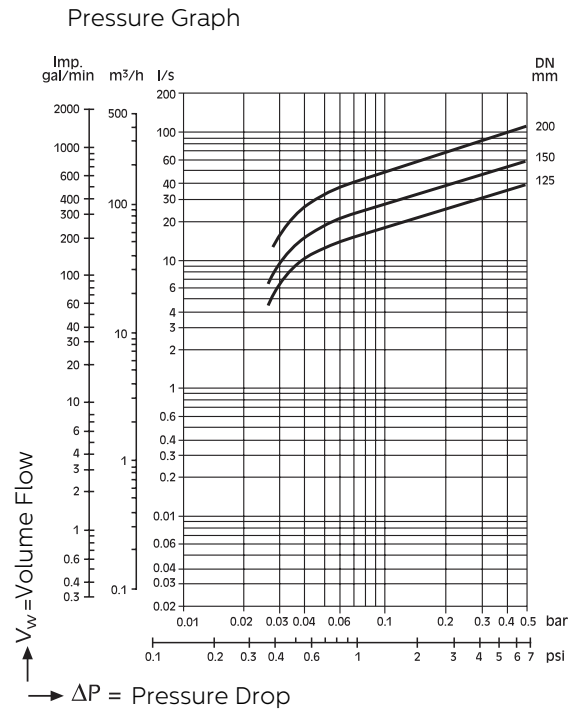
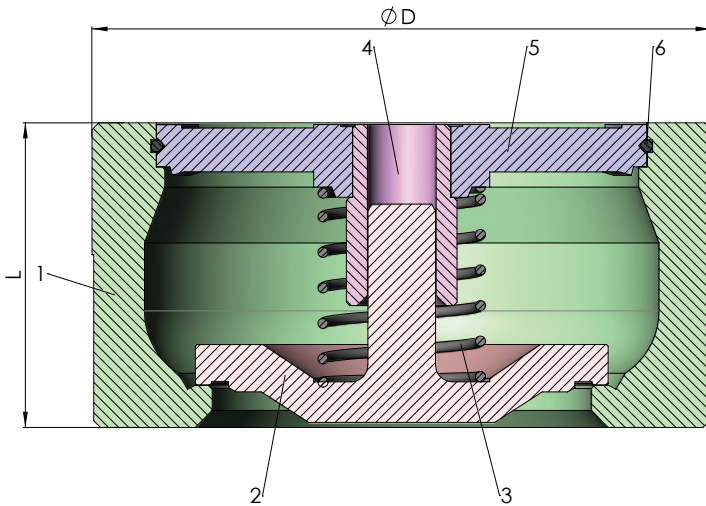
CONNECTIONS	
CV 11 Between Flanges/ Wafer Tip	BS 10 tables D,E,F DIN 2501 (PN/6/10/16) ANSI B 16.1 class 125 FF

WORKING CONDITIONS	
Nominal Pressure (PN)	16
Min. Temperature (°C)	-10
Max. Working Pressure (bar)	16-13-13
Temp. related to Pressure(°C)	120-200-300

CV11 CHECK VALVES

The curves given in the chart are valid for water at 20°C. To read the pressure drop for other fluids the equivalent water volume flow rate must be calculated and used in the graph.

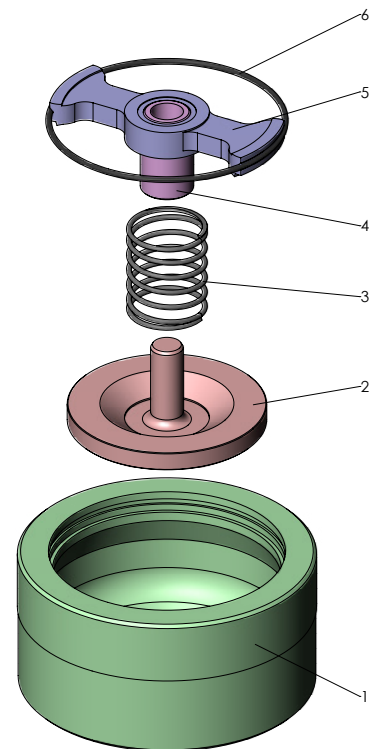
The values indicated in the chart are applicable to spring-loaded valves with horizontal flow.



SPARE PARTS		CV 11
1	Body	GG-25 Cast Iron
2	Disc	GG-25 Cast Iron
3	Spring	Stainless Steel
4	Centering Part	Stainless Steel
5	Segment Holder	Cast Iron
6	Segment	Stainless Steel

Dimensions				
Dia. mm	125	150	200	250
D (mm)	183	210	264	328
L (mm)	90	106	142	200

OPENING PRESSURE MBAR				
DN	Flow Direction			
	Without Spring ↑	Spring		
		↑	⇒	↓
125	10,5	31	20,5	10
150	11,5	33	21,5	10
200	11,2	32,4	21.2	10



HEAD OFFICE - FACTORY

Atatürk Sanayi Bölgesi Hadımköy Mahallesi Mustafa İnan Caddesi No: 44 Arnavutköy - İSTANBUL
 Tel: +90 212 771 01 45 (pbx) | Fax: +90 212 771 47 27
 info@ayvaz.com | www.ayvaz.com

Cona
Caserta/Italy
 Tel: +39 0823 187 3988
 rmolaro@ayvaz.com

Ayvaz Germany
Ningbo/China
 Tel: +49 62046014399
 germany@ayvaz.com

Ayvaz Ukraine
Kiev/Ukraine
 Tel: +380 44 390 57 57
 info@ayvaz.com.ua

Tricorr
Warsaw/Poland
 Tel: +48 530 030 810
 +48 533 603 335
 tricorr@tricorr.eu

Ayvaz Azerbaijan
Baku/Azerbaijan
 Tel: +99 (455) 579-84-32
 ahayatov@ayvaz.com

Ayvaz Egypt
Cairo/Egypt
 Tel: +20 122 819 78 29
 andrew.eid@ayvaz.com

Ayvaz Gulf
Dubai/U.A.E
 Tel: +971 563550822
 +971 501306871
 mideast@ayvaz.com

Ayvaz China
Ningbo/China
 Tel: +86 152 5830 7361
 msahin@ayvaz.com

Ayvaz Kazakhstan LLP
Almaty/Kazakhstan
 Tel: +7 (727) 327 97 57
 info_kz@ayvaz.com

Ayvaz N
Ispirih/Bulgaria
 Tel: +359 8431 27 32
 office@ayvaz-n.eu

Ayvaz Serbia
Belgrade/Serbia
 Tel: +381 61 658 70 52
 yakbiyik@ayvaz.com

Ayvaz Vietnam
HCMC/Vietnam
 ggursoy@ayvaz.com
 Tel: +84 89 8508345

Ayvaz Americas
Rhode Island/USA
 Tel: +1 401 737 8380
 americas@ayvaz.com