



UNIMECH GROUP, MALAYSIA



A MEMBER OF UNIMECH GROUP, MALAYSIA

DISCO CHECK VALVE

SSDC-UF-PN40



The design of Arita Disco Check valves is compact, lighter and more economical. The parts are produced using investment casting which contributes to its high quality finishing and precision. The design allows it to be installed either in horizontal or vertical position. The disco check valves have a wide range of applications like with steam, hot condensate, water, oil and gas.

Dimensions in mm

| SIZES | | d | D1 | D2 | D3 | L | WT (KG) | OPENING PRESSURE (BAR) |
|-------|-------|----|-----|-----|-----|----|---------|------------------------|
| DN | In. | | | | | | | |
| 15 | 1/2 | 15 | 39 | 28 | 33 | 16 | 0.08 | 0.1 |
| 20 | 3/4 | 20 | 46 | 35 | 41 | 20 | 0.13 | 0.1 |
| 25 | 1 | 25 | 54 | 43 | 48 | 22 | 0.17 | 0.1 |
| 32 | 1 1/4 | 31 | 68 | 52 | 60 | 28 | 0.34 | 0.1 |
| 40 | 1 1/2 | 39 | 78 | 63 | 73 | 32 | 0.48 | 0.1 |
| 50 | 2 | 48 | 90 | 75 | 85 | 40 | 0.81 | 0.1 |
| 65 | 2 1/2 | 62 | 111 | 95 | 102 | 46 | 1.18 | 0.1 |
| 80 | 3 | 75 | 128 | 108 | 122 | 48 | 1.96 | 0.1 |
| 100 | 4 | 85 | 148 | 126 | 139 | 58 | 2.93 | 0.1 |

Materials

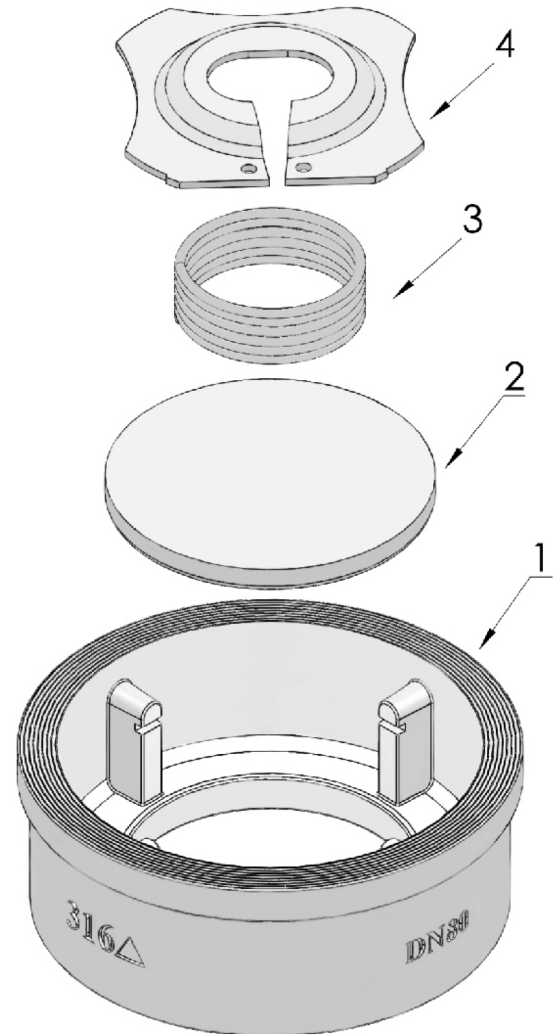
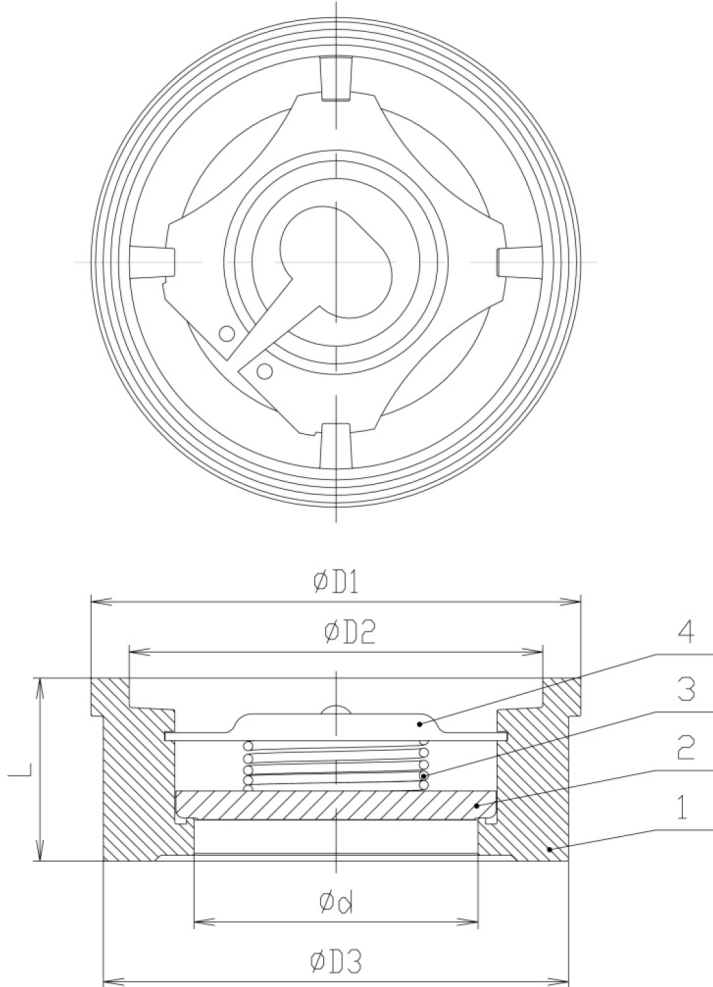
| No. | PART | QTY. | MATERIAL |
|-----|----------|------|-------------------------|
| 1 | BODY | 1 | SUS 304 / SUS 316 / WCB |
| 2 | DISC | 1 | SUS 304 / SUS 316 / WCB |
| 3 | SPRING | 1 | SUS 304 / SUS 316 |
| 4 | RETAINER | 1 | SUS 304 / SUS 316 / WCB |

Note : DN15~DN65 SUS 316 only

Optional : PTFE seal on request.

Design Standard:

Face to Face : conforms to DIN 3202-3 K4 (DN15~DN125)
and NF E-29-377 (DN150~DN200)



Working Pressure - Temperature

| Temperature, °C | -10 | 0 | 50 | 100 | 150 | 200 | 250 |
|-----------------|-----|----|----|-----|-----|-----|-----|
| Pressure, Bar | 40 | 40 | 40 | 34 | 30 | 27 | 25 |

Note: For optional PTFE seal, if working temperature is above 120°C, reinforced PTFE is recommended.

Pressure Test

| Working Pressure | Hydrostatic Test | |
|------------------------|------------------|------------------------|
| 40 kgf/cm ² | Body | 60 kgf/cm ² |
| | Seat | 44 kgf/cm ² |

