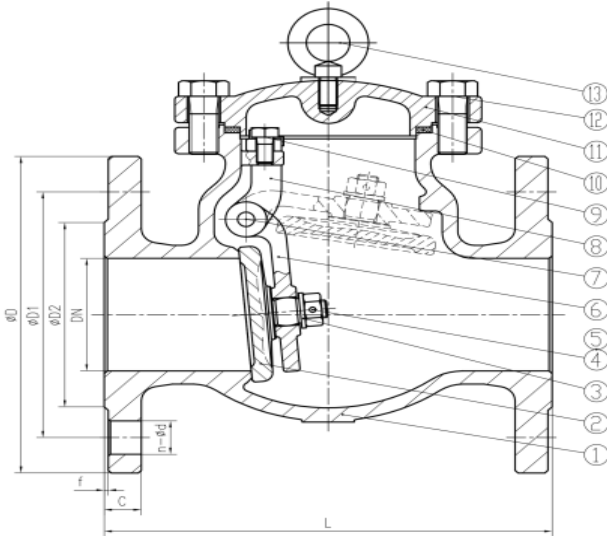


STAINLESS STEEL SWING CHECK VALVE JIS10K

Model: ARV-103FE(J)



Technical Data

STANDARD MATERIALS OF MAIN PARTS

NO	NAME	MATERIAL
1	BODY	A351 CF8
2	DISC	A351 CF8
3	WASHER	SS304
4	NUT PIN	SS304
5	NUT	SS304
6	SWAY STAFF	A351 CF8
7	HINGE PIN	SS304
8	HINGE	A351 CF8
9	BOLT	SS304
10	GASKET	SPIRAL WOUND GASKET
11	NONNET	A351 CF8
12	BOLT	A193 B8

Specification Standards:

Design and Manufacture for valve according to JIS B2071-2000

Face to face dimensions for valve according to JIS B2002-1987

End flange dimensions for valve according to JIS B2220-2012

Inspection and Test for valve according to JIS 2003-1994

Working Pressure: 16 Kgf/cm²

Test Pressure Shell: 30 Kgf/cm²

Seat: 22 Kgf/cm²

Working Temperature: -29 - 425°C

Applicable Medium: 'Water, Oil, Gas

DIMENSIONS

DN	L	D	D1	D2	C	f	n-Φd
DN65	216	175	140	120	18	1	4-Φ19
DN80	241	185	150	130	18	1	8-Φ19
DN100	292	210	175	155	18	1	8-Φ19
DN125	330	250	210	185	20	2	8-Φ23
DN150	356	280	240	215	22	2	8-Φ23
DN200	495	330	290	265	22	2	12-Φ23