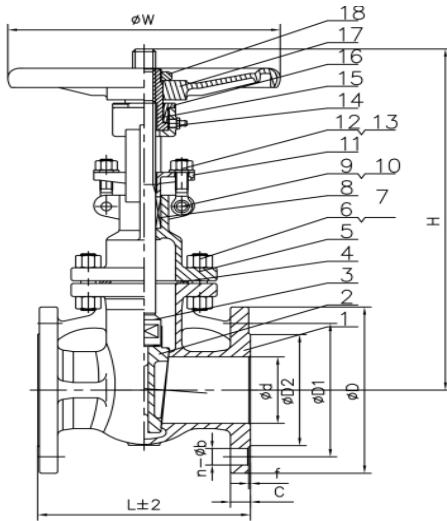


STAINLESS STEEL GATE VALVE RISING JIS10K

Model: ARV-101FE(J)



Technical Data

STANDARD MATERIALS OF MAIN PARTS

NO	NAME	MATERIAL
1	BODY	A351 CF8
2	DISC	A351 CF8
3	STEM	F304
4	GASKET	SS304 + GRAPHITE
5	BONNET	A351 CF8
6	BOLT	A2-70/304
7	NUT	A2-70/304
8	PACKING	GRAPHITE
9	PIN	304
10	GLAND BOLT	A2-70/304
11	GLAND	A351 CF8
12	SPRING WASHER	304
13	NUT	A2-70/304
14	LUBRICATOR	H62
15	STEM NUT	CU
16	RETAINING NUT	A351 CF8
17	HANDWHELL	QT200
18	H.W.LOCK NUT	A351 CF8

Specification Standards:

Design and Manufacture for valve according to API 603

Face to face dimensions for valve according to JIS B2002

End flange dimensions for valve according to JIS B2220

Inspection and Test for valve according to API 598

Working Pressure: 16 Kgf/cm²

Test Pressure Shell: 30 Kgf/cm²

Seat: 22 Kgf/cm²

Working Temperature: -29 - 425°C

Applicable Medium: Water, Oil, Gas

DIMENSIONS

DN	L	d	D	D1	D2	C	f	n-Φd	W	H
DN40	165	38	140	105	85	16	2	4-Φ19	180	275
DN50	178	50	155	120	100	16	2	4-Φ19	200	309
DN65	191	65	175	140	120	18	2	4-Φ19	240	343
DN80	203	76	185	150	130	18	2	8-Φ19	260	390
DN100	229	99	210	175	155	18	2	8-Φ19	280	451
DN125	254	125	250	210	185	20	2	8-Φ23	300	517
DN150	267	150	280	240	215	22	2	8-Φ23	320	587
DN200	292	200	330	290	265	22	2	12-Φ23	350	729