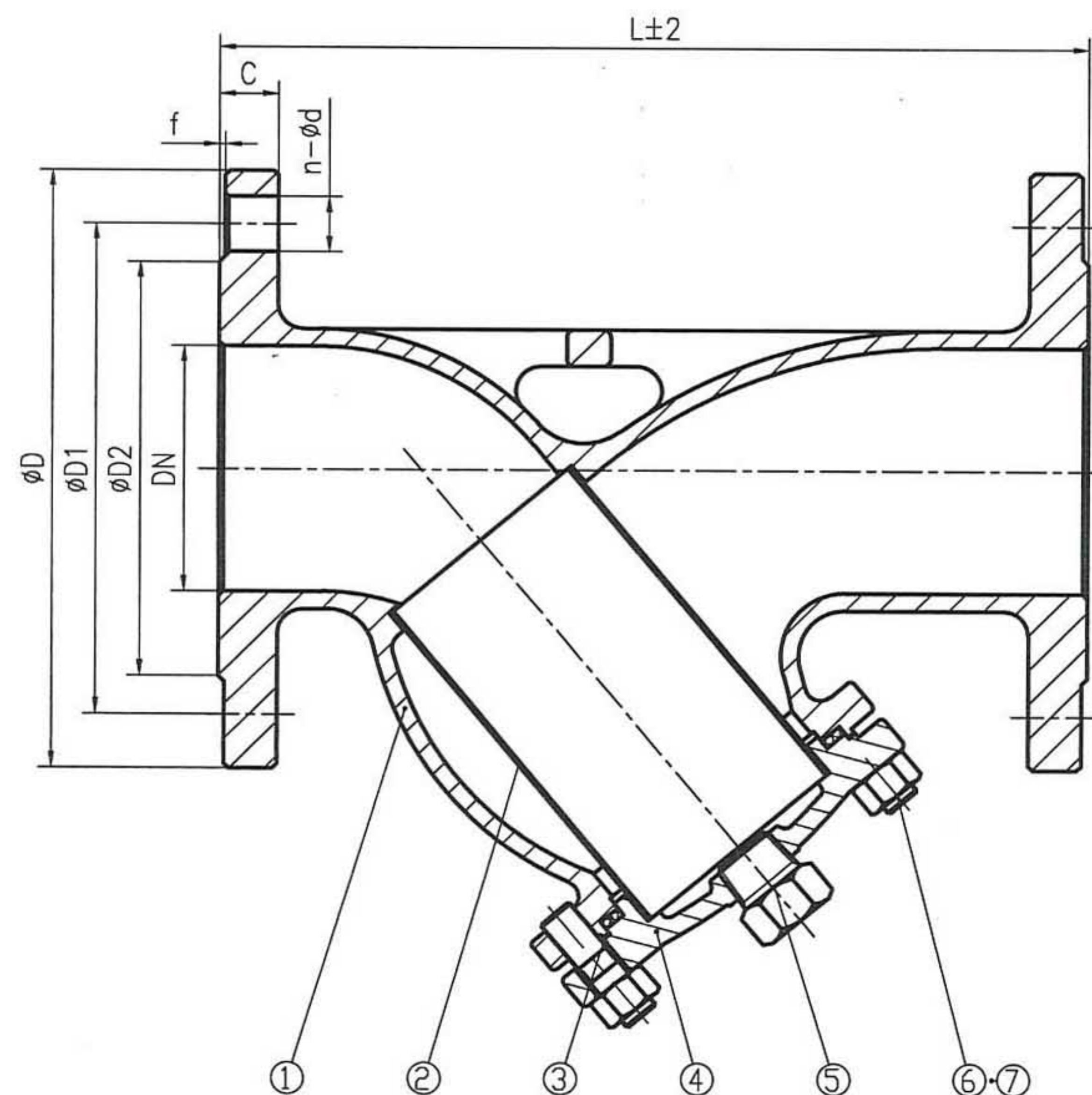


## Y-TYPE STRAINER FLANGED END JIS 10K

Model : ARV-105FE(J)



### Features :

End Flange dimension according to ASME B16.5-2009

Inspection and Test : API598-2009

Nominal pressure	10K	
Test Pressure	Shell Test	3.0 Mpa
Applicable Medium	Water, Oil, Gas	
Applicable Temperature	-29 ~ 425 °C	

### Dimension in mm

DN	L	D	D1	D2	C	f	n-Ød
15	130	95	70	52	12	1	4-Ø15
20	140	100	75	58	14	1	4-Ø15
25	150	125	90	70	14	2	4-Ø19
32	170	135	100	80	16	2	4-Ø19
40	200	140	105	85	16	2	4-Ø19
50	220	155	120	100	16	2	4-Ø19
65	252	175	140	120	18	2	4-Ø19
80	280	185	150	130	18	2	8-Ø19
100	320	210	175	155	18	2	8-Ø19
125	350	250	210	185	20	2	8-Ø23
150	400	280	240	215	22	2	8-Ø23
200	485	330	290	265	22	2	12-Ø23
250	550	400	355	325	24	2	12-Ø25
300	610	445	400	370	24	2	16-Ø25

### Technical Data

#### Material

No	PART	MATERIAL
1	BODY	A351 CF8 / CF8M
2	BASKET	SS304 / SS316
3	SEAL LINE	SPIRAL WOUND GASKET
4	BONNET	A351 CF8 / CF8M
5	PLUG	A351 CF8 / CF8M
6	BOLT	A193 B8 / B8M
7	NUT	A194 8 / 8M