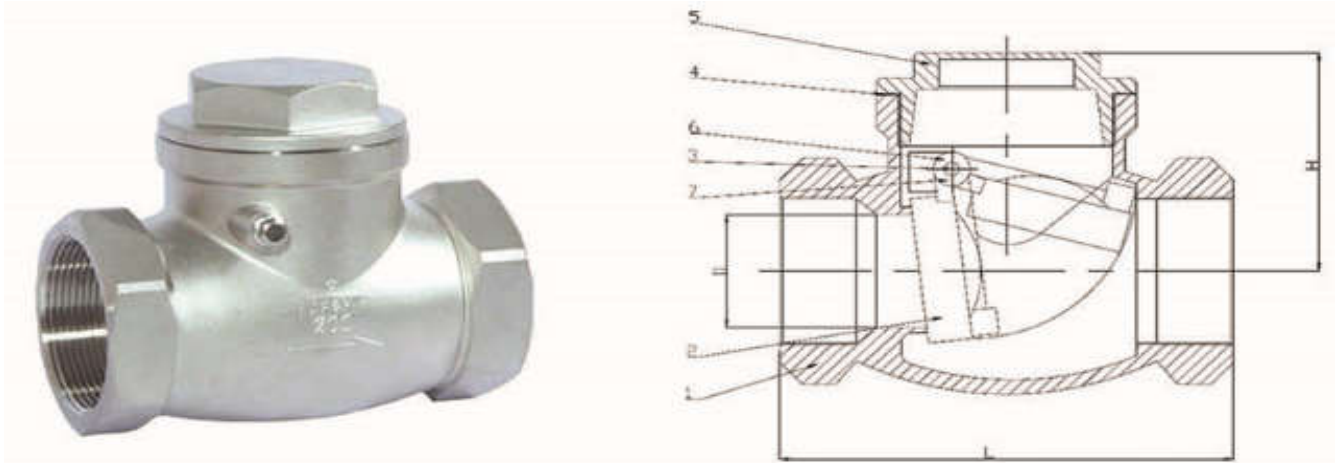


## STAINLESS STEEL SWING CHECK VALVE THREAD END

Model: SC-S-200



### Technical Data

#### Specification Standards:

Threaded end according to BSPT Standard

Investment casting Body

Available upon special request

Test and Inspection EN1266, MSS SP-110

Working Pressure: 16 Kgf/cm<sup>2</sup>

Test Pressure Shell: 21 Kgf/cm<sup>2</sup>

Working Temperature: Max 120°C

Applicable Medium: 'Water, Oil, Gas

#### STANDARD MATERIALS OF MAIN PARTS

NO	NAME	MATERIAL
1	BODY	CF8/ CF8M
2	DISC	CF8/ CF8M
3	PIN	SS304/ SS316
4	SEAT	PTFE
5	CAP	CF8/ CF8M
6	WASHER	SS201
7	BOLT	SS201

#### DIMENSIONS ( mm)

SIZE	1/2"	3/4"	1"	1 1/4"	1 1/2"	2
DN	DN15	DN20	DN25	DN32	DN40	DN50
C	35	39.5	45	53.5	62	74
H	41.5	45	49	53.5	58.5	67
L	62	78	89	101	118	135