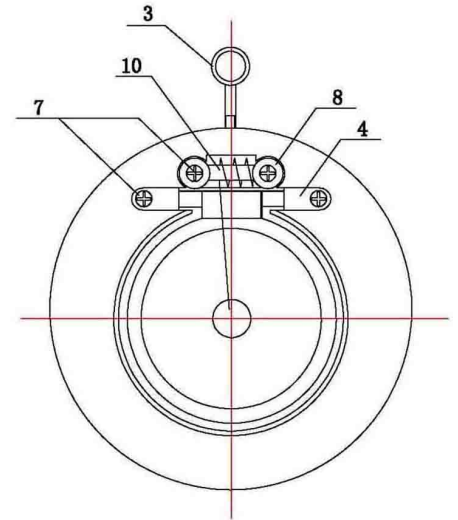
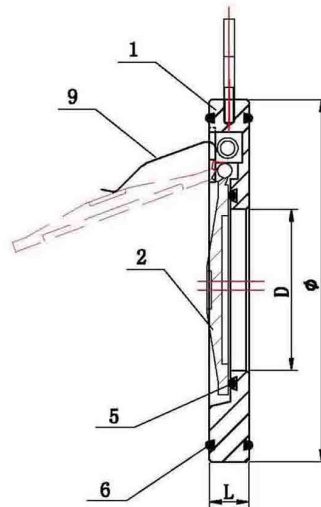


SINGLE DOOR WAFER SWING CHECK VALVE PN40 FLANGE CONNECTION (SUPER THIN)

Model : ARV-103WT(U)



Features :

Working Pressure : 4.0 Mpa

Seal Pressure Test : 4.4 Mpa

Body Pressure Test : 6.00 Mpa

Valve Design : ASME B16.34

Flange Standard : EN1092-2

Valve Inspection and Testing : API598-2004

Medium : Fresh water, Sea water, Waste water, Food Stuff,
Steam, All kinds of Oil, Acid, Alkaline liquid etc.

Working Temperature : VITON : -20 ~ 135 °C

Technical Data

Dimension in mm

SIZE	L	D	H
50	16	32	108
65	17	40	129
80	17	54	144
100	18	70	170
125	18	92	196
150	20	114	226
200	22	154	293
250	26	200	355
300	32	235	420

Material

No	PART	MATERIAL
1	BODY	CF8M
2	DISC	CF8M
3	RING	WCB
4	PLATE	SS316
5	O-RING	VITON
6	O-RING	VITON
7	NUT	SS316
8	PLATE	SS316
9	SPRING	SS316
10	AXLE	SS316