



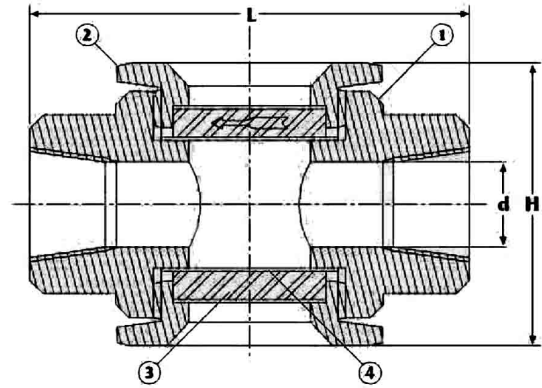
UNIMECH GROUP, MALAYSIA



A MEMBER OF UNIMECH GROUP, MALAYSIA

SIGHT GLASS SCREWED END

Model : ARF-108SE



Technical Data

Features :

End Connection : Threaded End to BSPT

Applicable Temperature : 120°C

Pressure Rating : 10 kgf/cm²

Material

No	PART	MATERIAL
1	BODY	CFM / CF8M
2	CAP	CFM / CF8M
3	GLASS	TEMPERED GLASS
4	GASKET	PTFE

Dimension in mm

DN	L	H	Weight (kg)
15	74	46	0.34
20	89	54	0.5
25	89	59	0.58
32	119	73	1.07
40	119	81	1.19
50	139	93	1.965

The contents of this literature are for informative purposes only. Arita is not responsible for suitability or compatibility of these products in relation to system requirement. For specific requirements, consult Arita or its distributors. Arita reserves the right to change or modify product design without prior notice.

Our Ref. : AR/SGU- 08/21