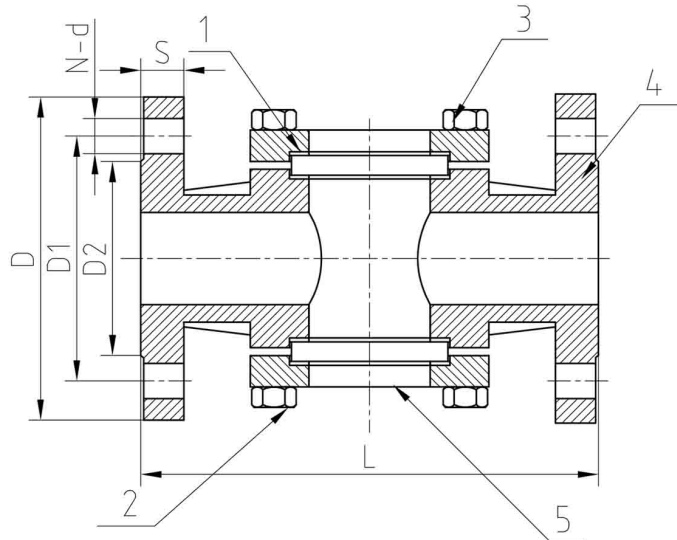


## SIGHT GLASS FLANGED END JIS 10K

Model : ARV-108FE(J)



### Technical Data

#### Features :

Seal Test : 1.8 Mpa

Working Temperature : <180 °C

#### Material

No	PART	MATERIAL
1	SEALING GASKET	PTFE
2	VALVE COVER	SS 304 L
3	BOLT / NUT	B8 8
4	BODY	SS 304
5	GLASS	BOROSILICATE GLASS

#### Dimension in mm

DN	L	D	D1	D2	S	N-d	Glass
40	200	150	110	88	18	4-18	Ø80x10
50	230	165	125	102	18	4-18	Ø95x15
65	315	185	145	122	18	8-18	Ø95x15
80	310	200	160	138	20	8-18	Ø120x20
100	350	220	180	158	20	8-18	Ø145x20
125	430	250	210	188	22	8-18	Ø170x20
150	450	285	240	212	22	8-22	Ø170x20

The contents of this literature are for informative purposes only. Arita is not responsible for suitability or compatibility of these products in relation to system requirement. For specific requirements, consult Arita or its distributors. Arita reserves the right to change or modify product design without prior notice.