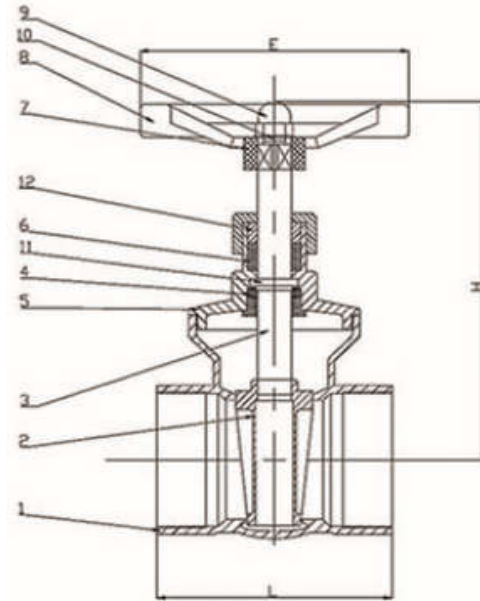


STAINLESS STEEL GATE VALVE THREAD END

Model: SG-S-200



Technical Data

STANDARD MATERIALS OF MAIN PARTS

NO	NAME	MATERIAL
1	BODY	CF8/ CF8M
2	DISC	CF8/ CF8M
3	STEM	SS304/ SS316
4	BODY GASKET	PTFE
5	CAP	CF8/ CF8M
6	STEM SEAL	PTFE
7	STOP NUT	CF8/ CF8M
8	WHEEL HANDLE	ALUMINIUM
9	STEM NUT	SS201
10	WASHER	SS201
11	STOP GASKET	SS304
12	GLAND	SS304

Specification Standards:

Threaded end according to BSPT Standard

Investment casting Body

Hand-Wheel Operator (Red or Blue Color)

Test and Inspection EN1266

Working Pressure: 16 Kgf/cm²

Test Pressure Shell: 21 Kgf/cm²

Working Temperature: Max 120°C

Applicable Medium: Water, Oil, Gas

DIMENSIONS (mm)

SIZE	1/2"	3/4"	1"	1 1/4"	1 1/2"	2
DN	DN15	DN20	DN25	DN32	DN40	DN50
H	93	105	115	130	145	170
L	55	60.5	64	70.5	78	88
ØE	70	70	80	80	100	100