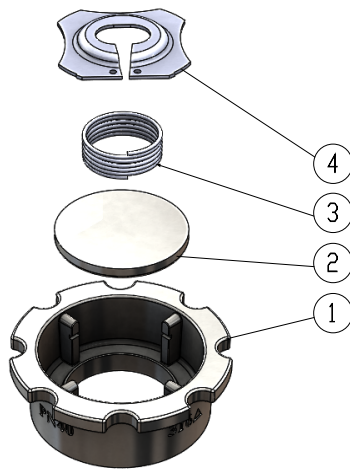
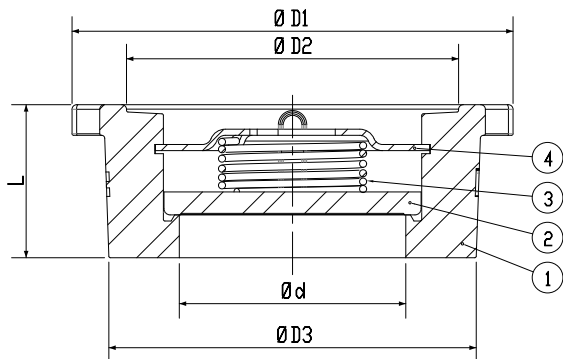


ARITA STAINLESS STEEL DISCO CHECK VALVE

PN 40 DISCO CHECK VALVE (DN 15 - 100)

ARV-106WT(U)



SPECIFICATIONS

- Face to Face Dimension : DIN 3202-3 K4
- Applicable Media : W.O.G. and steam
- Applicable Temperature : -10 ~ 250 °C
- PTFE Seal (optional)

STANDARD COMPONENT MATERIAL

NO	DESCRIPTION	QTY.	MATERIAL
1	Body	1	SUS 304 / 316
2	Disc	1	SUS 304 / 316
3	Spring	1	SUS 304 / 316
4	Retainer	1	SUS 304 / 316

TEST PRESSURE

Nominal Pressure	:	40 kgf/cm ²
Hydrostatic Shell Test Pressure	:	60 kgf/cm ²
Hydrostatic Seat Test Pressure	:	44 kgf/cm ²

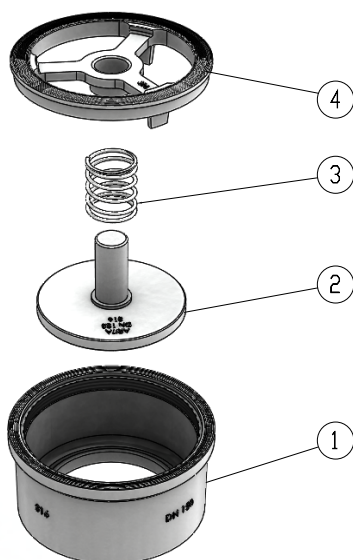
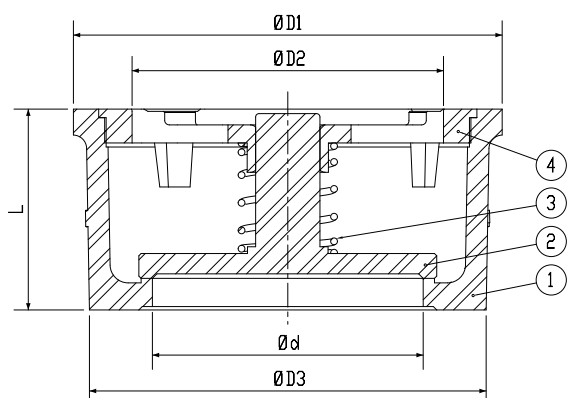
DIMENSION TABLE (MM)

Size		d	D1	D2	D3	L	Opening Pressure (Bar)	Weight (Kg)
DN	Inch							
15	1/2	15	50	28	33	16	0.1	0.12
20	3/4	20	58	35	41	20	0.1	0.15
25	1	25	68	43	48	22	0.1	0.20
32	1-1/4	31	80	52	60	28	0.1	0.40
40	1-1/2	39	92	63	73	32	0.1	0.54
50	2	48	104	75	83	40	0.1	0.92
65	2-1/2	62	130	95	102	46	0.1	1.37
80	3	74	146	108	120	50	0.1	2.23
100	4	84	170	126	139	60	0.1	3.35

ARITA STAINLESS STEEL DISCO CHECK VALVE

PN 40 DISCO CHECK VALVE (DN 125 - 250)

ARV-106WT(U)



STANDARD COMPONENT MATERIAL

NO	DESCRIPTION	QTY.	MATERIAL
1	Body	1	SUS 304 / 316
2	Disc	1	SUS 304 / 316
3	Spring	1	SUS 304 / 316
4	Retainer	1	SUS 304 / 316

SPECIFICATIONS

- Face to Face Dimension : NF E-29-377
- Applicable Media : W.O.G. and steam
- Applicable Temperature : -10 ~ 250 °C
- PTFE Seal (optional)

TEST PRESSURE

Nominal Pressure	:	40 kgf/cm ²
Hydrostatic Shell Test Pressure	:	60 kgf/cm ²
Hydrostatic Seat Test Pressure	:	44 kgf/cm ²

DIMENSION TABLE (MM)

Size		d	D1	D2	D3	L	Opening Pressure (Bar)	Weight (Kg)
DN	Inch							
125	5	120	193	138	175	90	0.1	6.9
150	6	144	220	166	208	95	0.1	9.4
200	8	194	285	218	266	127	0.1	17.6
250	10	245	326	250	302	140	0.1	26.4