



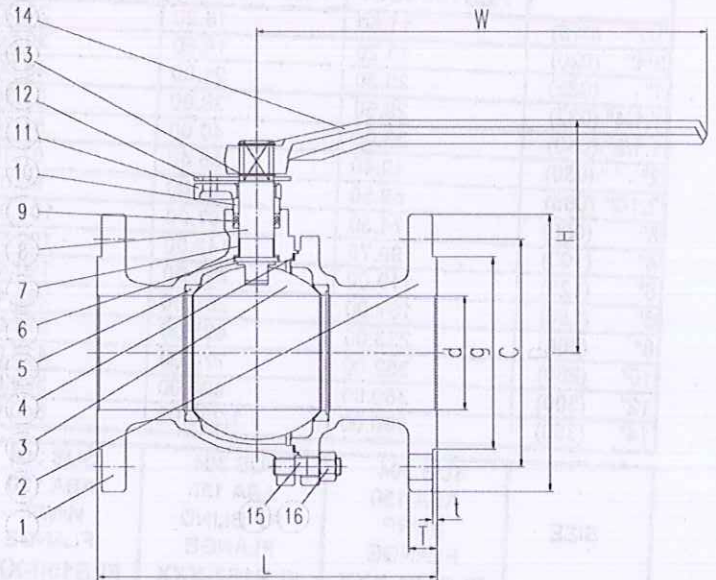
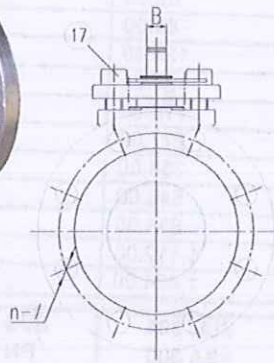
ART9BF/XXX



UNIMECH GROUP, MALAYSIA

A MEMBER OF UNIMECH GROUP, MALAYSIA

## STAINLESS STEEL BALL VALVE FLANGED END 150 LB (size 15mm~100mm)



### Features :

Pressure - temperature rating : ASME B16.34

Face to face : ASME B16.10

Flange connection dimensions : ASME B16.5

Inspection and test : API 598

Shell test : 3.1 Mpa

Low Pressure sealing test : 0.5~0.7 Mpa

### Technical Data

#### Material

No.	PART	MATERIAL
1	BODY	A351-CF8 or A351-CF8M
2	BONNET	A351-CF8 or A351-CF8M
3	BALL	A276-304 or A276-316
4	GASKET	PTFE
5	BALL SEATS	RPTFE
6	THRUST WASHER	PTFE
7	STEM BUSHING	PTFE (for 2" above)
8	STEM	A276-304 or A276-316
9	PACKING	PTFE

No.	PART	MATERIAL
10	GLAND	A276-304 or A276-316
11	GLAND FLANGE	A351-CF8
12	LOCK PLATE	A276-304
13	RETAINING RING	A276-304
14	HANDLE	QT400-15
15	BONNET BOLT	A193-B8
16	NUT	A194-8
17	HEX. BOLT	A193-B8

#### Dimension in mm

SIZES		d	L	D	C	g	T	t	B	H	W	n-Ø
DN	in.											
15	1/2"	15	108	89	60.5	35	12	1.6	6	73	115	4-16
20	3/4"	20	117	98	70	43	12	1.6	6	77	115	4-16
25	1"	25	127	108	79.5	51	12	1.6	8	94	150	4-16
32	1.1/4"	32	140	117	89	64	13	1.6	8	100	150	4-16
40	1.1/4"	40	165	127	98.5	73	15	1.6	12	115.5	200	4-16
50	2"	50	178	150	120.5	92	16.2	2	12	124	200	4-19
65	2.1/2"	65	190	180	139.5	105	18	2	16	156	320	4-19
80	3"	80	203	190	152.5	127	19.5	2	16	165	320	4-19
100	4"	100	229	230	190.5	157	24.3	2	20	196	450	8-19

The contents of this literature are for informative purposes only. Arita is not responsible for suitability or compatibility of these products in relation to system requirement. For specific requirements, consult Arita or its distributors. Arita reserves the right to change or modify product design without prior notice.



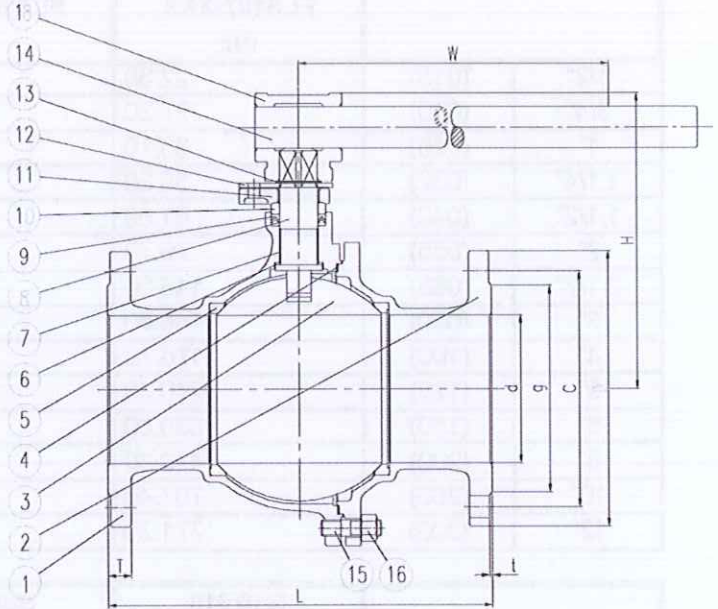
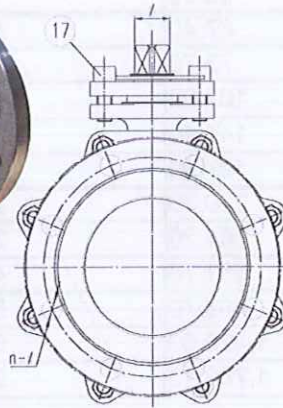
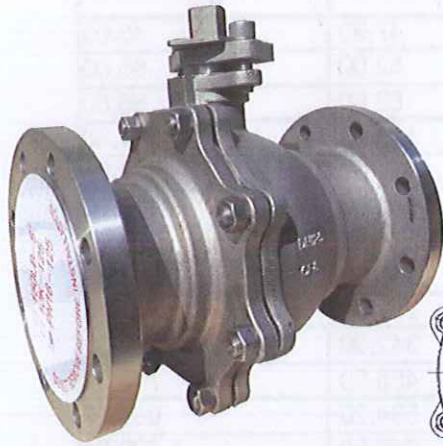
ARTSBF/XXX



UNIMECH GROUP, MALAYSIA

A MEMBER OF UNIMECH GROUP, MALAYSIA

## STAINLESS STEEL BALL VALVE FLANGED END 150 LB (size 125mm~250mm)



### Features :

- Pressure - temperature rating : ASME B16.34
- Face to face : ASME B16.10
- Flange connection dimensions : ASME B16.5
- Inspection and test : API 598
- Shell test : 3.1 Mpa
- Low Pressure sealing test : 0.5~0.7 Mpa

### Technical Data

#### Material

No.	PART	MATERIAL
1	BODY	A351-CF8 or A351-CF8M
2	BONNET	A351-CF8 or A351-CF8M
3	BALL	A276-304 or A276-316
4	GASKET	PTFE
5	BALL SEATS	RPTFE
6	THRUST WASHER	PTFE
7	STEM BUSHING	PTFE
8	STEM	A276-304 or A276-316
9	PACKING	PTFE

No.	PART	MATERIAL
10	GLAND	A276-304 or A276-316
11	GLAND FLANGE	A351-CF8
12	LOCK PLATE	A276-304
13	RETAINING RING	A276-304
14	HANDLE	QT400-15
15	BONNET BOLT	A193-B8
16	NUT	A194-8
17	HEX. BOLT	A193-B8
18	HANDLE HUB	A216-WCB

#### Dimension in mm

SIZES		d	L	D	C	g	T	t	Ø	H	W	n-Ø
DN	in.											
125	5"	125	356	255	216	186	24.3	2	39.5	284	800	8-22
150	6"	150	394	280	241.5	216	26	2	39.5	301	800	8-22
200	8"	200	457	343	298.5	270	29	1.6	45	396	940	8-22
250	10"	250	533	406	362	324	31	1.6	50	444	940	12-25

The contents of this literature are for informative purposes only. Arita is not responsible for suitability or compatibility of these products in relation to system requirement. For specific requirements, consult Arita or its distributors. Arita reserves the right to change or modify product design without prior notice.