



UNIMECH GROUP, MALAYSIA



A MEMBER OF UNIMECH GROUP, MALAYSIA

STAINLESS STEEL 3PCS DISCO CHECK VALVE SCREWED END

ARV-106SE(U)-3PC

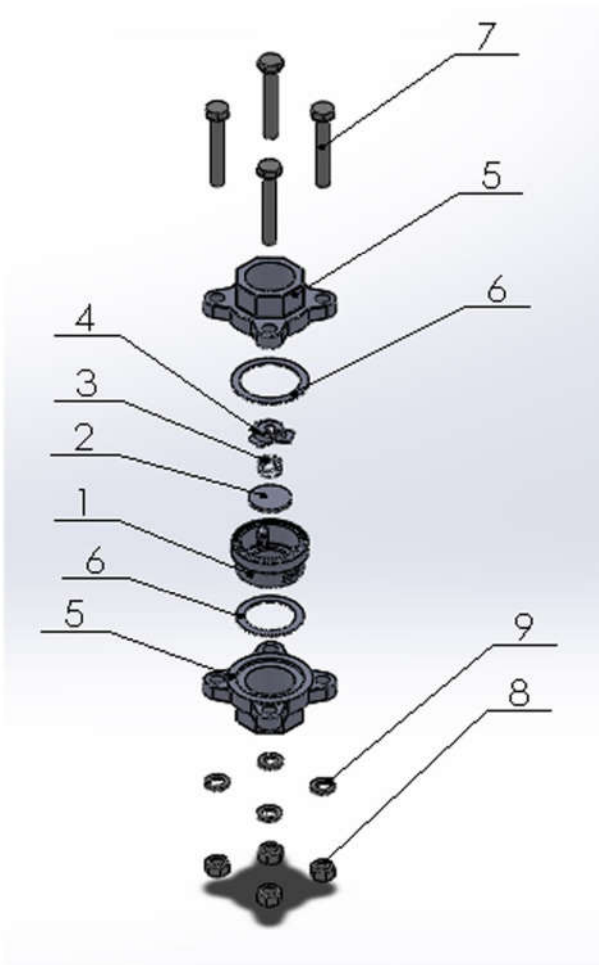


The design of Arita 3 Piece Disco Check Valves is compact and is meant for screwed ends connection. The parts are produced using investment casting which contributes to its high quality finishing and precision. The design allows it to be installed either in horizontal or vertical position. The 3 Piece Disco Check Valves have a wide range of applications like with steam, hot condensate, water, oil and gas.

Technical Data

Material

No.	PART	MATERIAL
1	BODY	SS 316
2	DISC	SS 316
3	SPRING	SS 316
4	RETAINER	SS 316
5	CAP	SS 316
6	GASKET	PTFE
7	BOLT	SS 304
8	NUT	SS 304
9	SPRING WASHER	SS 304

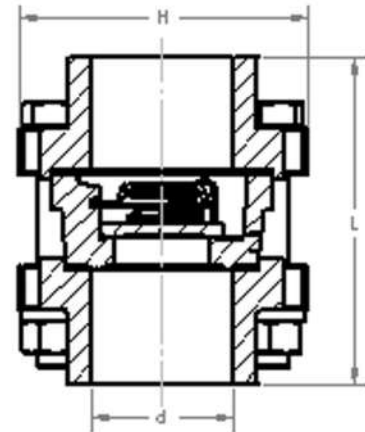


Design Standard :

ARITA Standard Face to Face Dimension
 BS21 (BSPT) Thread Standard

Pressure Test

Working Pressure	Hydrostatic Test	
	40kg/cm ²	Body
	Seat	44kg/cm ²



Dimension in mm

SIZES		d	H	L	WT (kg)
DN	in.				
15	1/2"	15	44	66	0.37
20	3/4"	20	52	63	0.47
25	1"	25	61	70	0.70
32	1.1/4"	32	72	83	1.08
40	1.1/2"	40	78	88	1.42
50	2"	50	93	106	2.12

