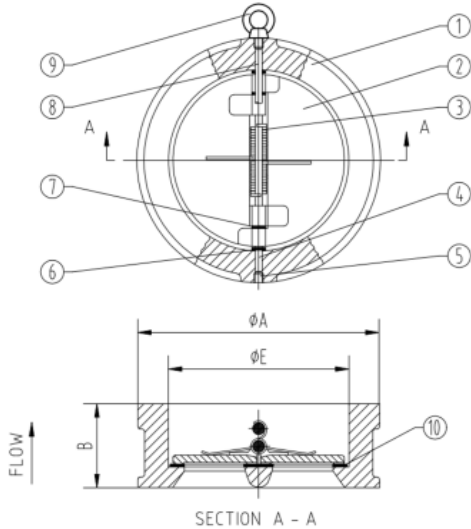


DUCTILE IRON WAFER CHECK VALVE PN25

Model: ARV-WDU420211



Technical Data

STANDARD MATERIALS OF MAIN PARTS

NO	NAME	MATERIAL
1	Body	Ductile Iron
2	Disc	CF8
3	Spring	SS304
4	Hinge Pin	SS416
5	Plug	Carbon Steel
6	Body Bearing	PTFE
7	Spring Bearing	PTFE
8	Stop Pin	SS416
9	Eye Bolt	Carbon Steel (≥DN200)
10	Body Seat	EPDM

Specification Standards:

Design Standard: EN558-1

Face to face dimension: EN558-1 Series 16

Flange End: BS4504 PN25

Test & inspection: ISO5208

Working Pressure: PN25

Test Pressure Shell: 37.5 Kgf/cm²

Test Pressure Sealing: 27.5 Kgf/cm²

Working Temperature: Max 80°C

Applicable Medium: Water

DIMENSIONS

SIZE		B	E	A
IN	DN			
2	DN50	43	66	107
2 1/2	DN65	46	81	127
3	DN80	64	95	142
4	DN100	64	118	167
5	DN125	70	146	192
6	DN150	76	171	222
8	DN200	89	225	282
10	DN250	114	266	339
12	DN300	114	311	399

The content of this literature are for informative purposes only. Arita is not responsible for suitability or compatibility of these products in relation to system requirement. For specific requirements, consult Arita or its distributors, Arita reserves the right to change or modify product design without prior notice.