



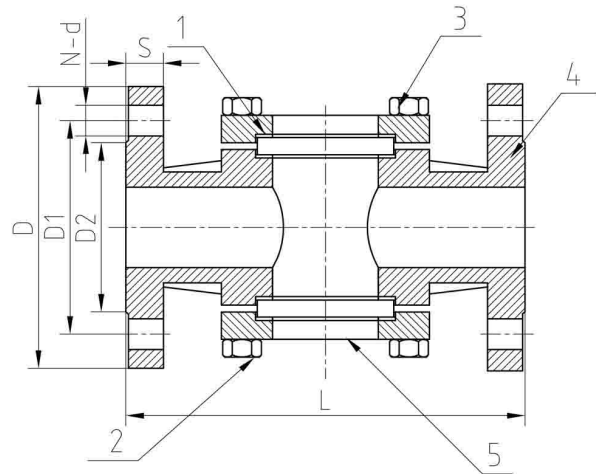
UNIMECH GROUP, MALAYSIA



A MEMBER OF UNIMECH GROUP, MALAYSIA

SIGHT GLASS FLANGED END JIS 10K

Model : ARV-208FE(J)



Technical Data

Features :

Strength Test : 3.0 Mpa
 Seal Test : 2.2 Mpa
 Working Temperature : 200 °C

Material

No	PART	MATERIAL
1	SEALING GASKET	SS 304 + GRAPHITE
2	VALVE COVER	WCB
3	BOLT / NUT	B7 2H
4	BODY	WCB
5	GLASS	BOROSILICATE GLASS

Dimension in mm

DN	L	D	D1	D2	S	N-d	Glass
125	445	250	210	188	22	8-18	Ø170x20
150	450	285	240	212	22	8-22	Ø170x20
200	480	340	295	268	24	12-22	Ø170x20

The contents of this literature are for informative purposes only. Arita is not responsible for suitability or compatibility of these products in relation to system requirement. For specific requirements, consult Arita or its distributors. Arita reserves the right to change or modify product design without prior notice.

Our Ref. : AR/SGH- 10/21