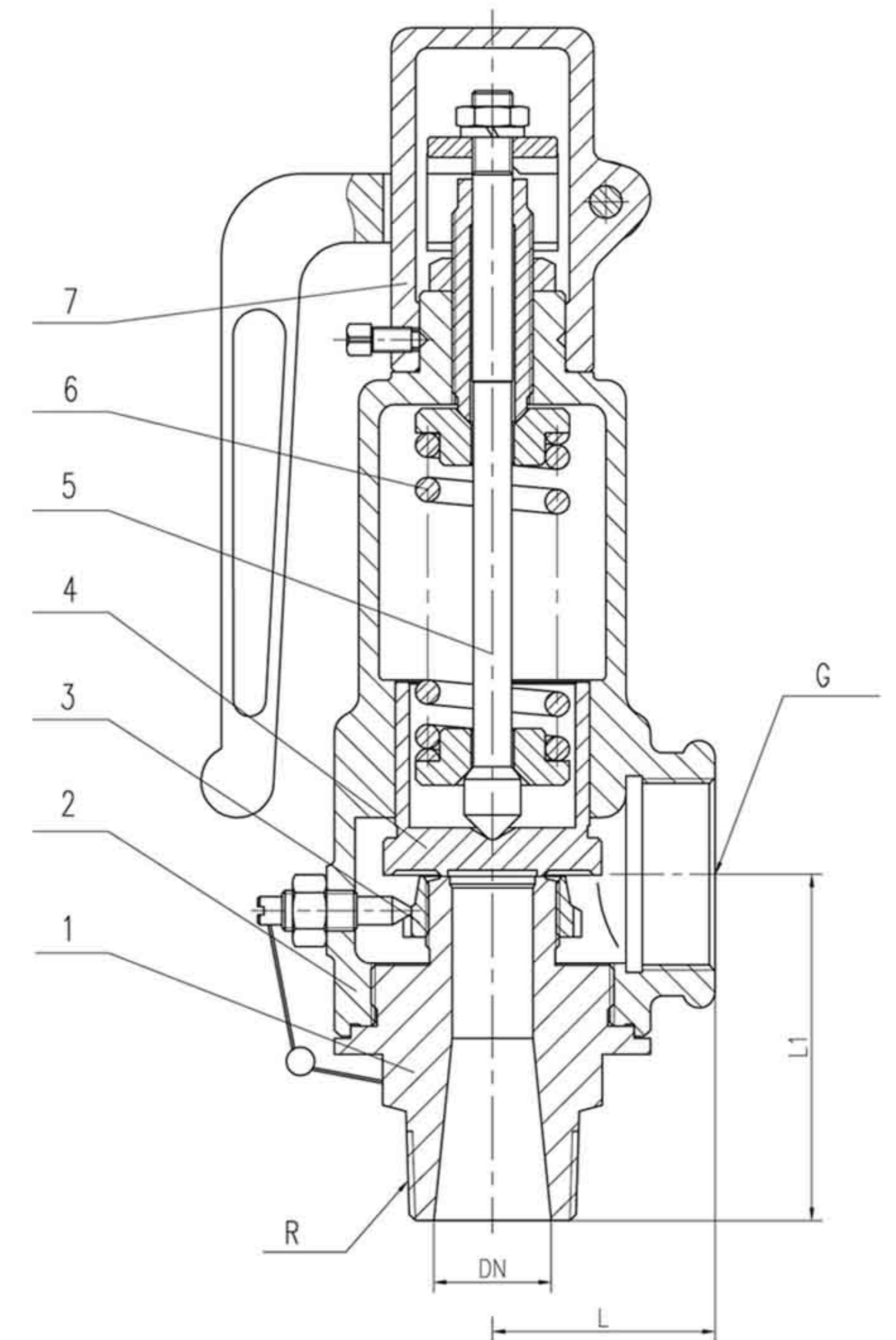
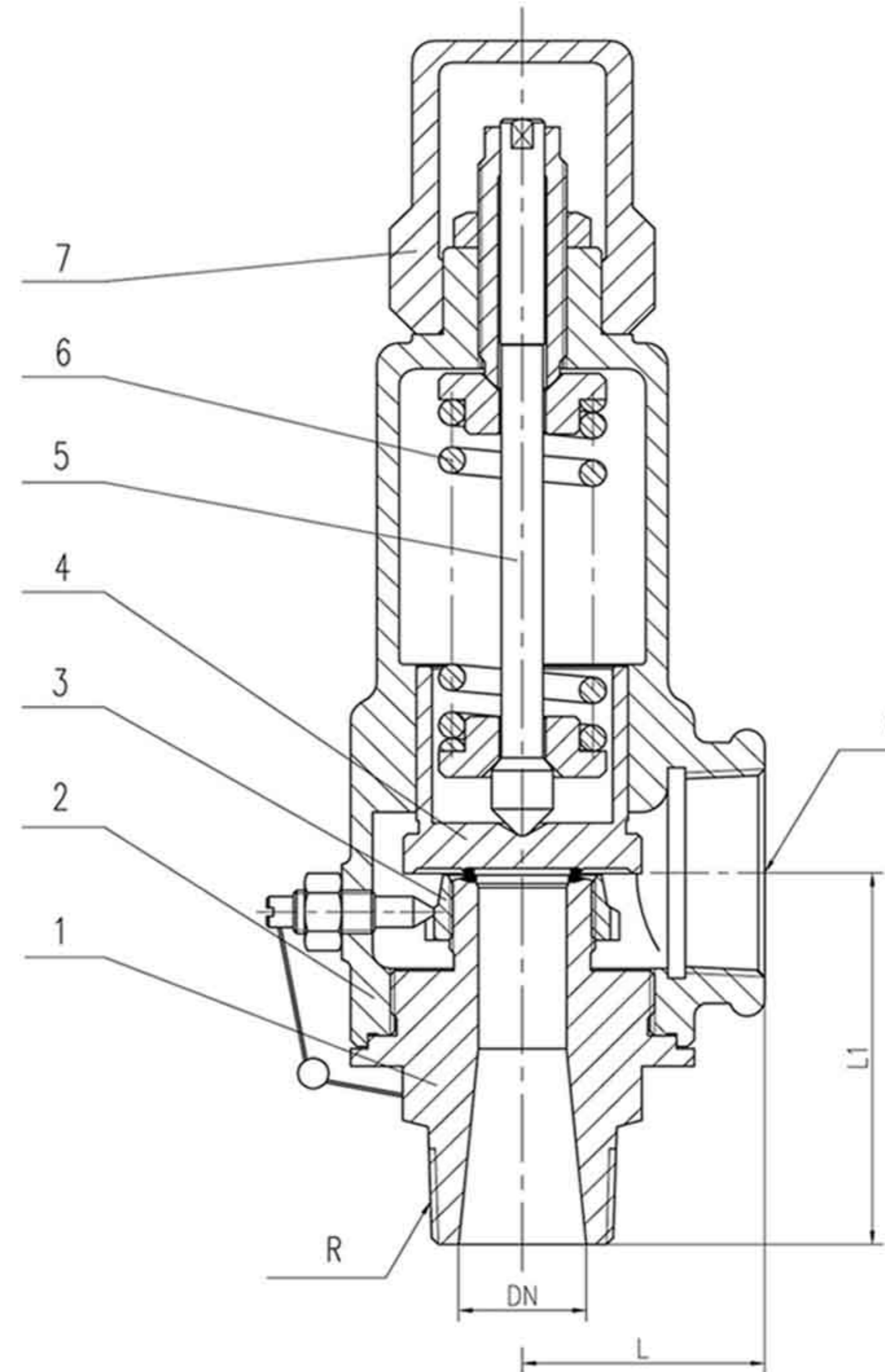


SAFETY VALVE SCREWED END

Model : ARV-207SE



Specification

Type	Without Lever	With Lever
Working Fluid	Steam, Air, Liquid	Steam, Air
Shell Test Pressure	1.6 Mpa	
Working Temperature	≤ 200°C	
Connection	BSPT	

Material

No	PART	MATERIAL
1	NOZZLE	2Cr13
2	BODY	WCB
3	ADJUSTING RING	2Cr13
4	DISC	2Cr13
5	STEM	2Cr13
6	SPRING	50CrVA
7	CAP	WCB

Dimension in mm

DN	R	G	L	L1
15	1/2"	1/2"	37	54
20	3/4"	3/4"	37	55
25	1"	1"	43	61
32	1.1/4"	1.1/4"	37	76
40	1.1/2"	1.1/2"	58	84
50	2"	2"	68	101
65	2.1/2"	2.1/2"	78	124
80	3"	3"	108	147