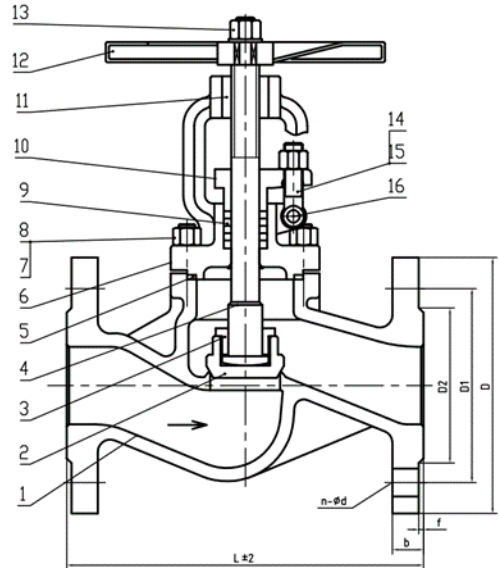


## CAST STEEL GLOBE VALVE S-PATTERN FLANGE END PN40

Model: ARV-202FE(D)-SP-PN40



### TECHNICAL DATA

#### SPECIFICATION STANDARDS

Design according to: EN 12516

Face to face dimension: EN 558

Flange end standard: EN1092 PN40 ( DIN PN40 )

Inspection and testing standard: 12266

Nominal pressure: 4.0 MPa

Test pressure shell: 6.0 MPa

Test pressure seal: 4.4 MPa

Working temprature: Max 425°C

Applicable medium: Water, Steam, Oil, ETC...

#### STANDARD MATERIALS OF MAIN PARTS

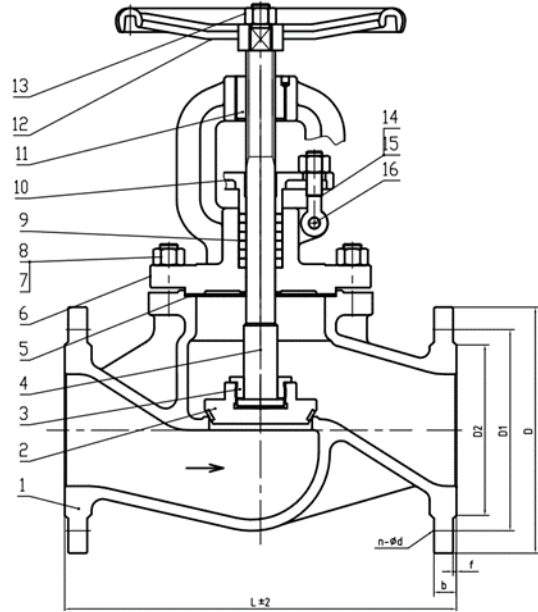
ITEM	PART NAME	MATERIAL	ITEM	PART NAME	MATERIAL
1	Body	Cast Steel ( GS-C25/ 1.0619 )	9	Packing	Graphite
2	Disc	2Cr13	10	Gland	Cast Steel
3	Disc Cap	A105	11	Stem Nut	Copper
4	Stem	2Cr13	12	Handwheel	1025
5	Gasket	304+Graphite	13	Nut	A194-2H
6	Bonnet	Cast Steel	14	Eye Bolt	A193-B7
7	Bolt	A193-B7	15	Nut	A194-2H
8	Nut	A194-2H	16	Pin	1035

### DIMENSION (mm)

DN	L	D	D1	D2	b	f	n-Ød
DN15	130	95	65	45	16	2	4-Ø14
DN20	150	105	75	58	18	2	4-Ø14
DN25	160	115	85	68	18	2	4-Ø14
DN32	180	140	100	78	18	2	4-Ø18
DN40	200	150	110	88	18	3	4-Ø18
DN50	230	165	125	102	20	3	4-Ø18
DN65	290	185	145	122	22	3	8-Ø18

## CAST STEEL GLOBE VALVE S-PATTERN FLANGE END PN40

Model: ARV-202FE(D)-SP-PN40



### TECHNICAL DATA

#### SPECIFICATION STANDARDS

Design according to: EN 12516
Face to face dimension: EN 558
Flange end standard: EN1092 PN40 ( DIN PN40 )
Inspection and testing standard: 12266
Nominal pressure: 4.0 MPa
Test pressure shell: 6.0 MPa
Test pressure seal: 4.4 MPa
Working temperature: Max 425°C
Applicable medium: Water, Steam, Oil, ETC...

#### STANDARD MATERIALS OF MAIN PARTS

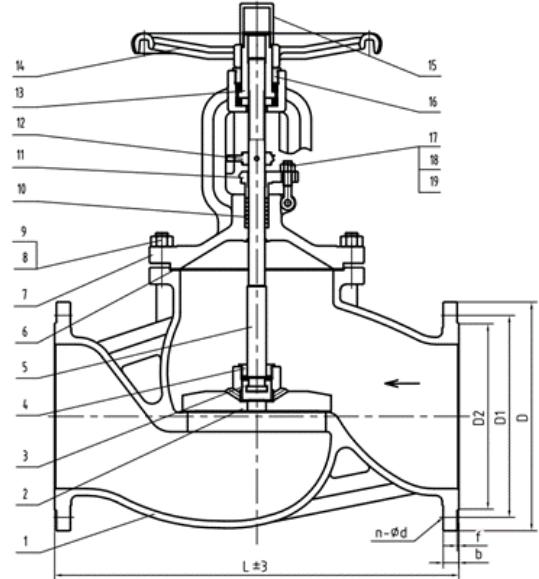
ITEM	PART NAME	MATERIAL	ITEM	PART NAME	MATERIAL
1	Body	Cast Steel (GS-C25/ 1.0619)	9	Packing	Graphite
2	Disc	2Cr13	10	Gland	Cast Steel
3	Disc Cap	A105	11	Stem Nut	Copper
4	Stem	2Cr13	12	Handwheel	1025/KTH330
5	Gasket	304+Graphite	13	Nut	A194-2H
6	Bonnet	Cast Steel	14	Eye Bolt	A193-B7
7	Bolt	A193-B7	15	Nut	A194-2H
8	Nut	A194-2H	16	Pin	1035

### DIMENSION (mm)

DN	L	D	D1	D2	b	f	n-Ød
DN80	310	200	160	138	24	3	8-Ø18
DN100	350	235	190	162	24	3	8-Ø22
DN125	400	270	220	188	26	3	8-Ø26
DN150	480	300	250	218	28	3	8-Ø26
DN200	600	375	320	285	34	3	12-Ø30

## CAST STEEL GLOBE VALVE S-PATTERN FLANGE END PN40

Model: ARV-202FE(D)-SP-PN40



### TECHNICAL DATA

#### SPECIFICATION STANDARDS

Design according to: EN 12516

Face to face dimension: EN 558

Flange end standard: EN1092 PN40 ( DIN PN40 )

Inspection and testing standard: 12266

Nominal pressure: 4.0 MPa

Test pressure shell: 6.0 MPa

Test pressure seal: 4.4 MPa

Working temperature: Max 425°C

Applicable medium: Water, Steam, Oil, ETC...

#### STANDARD MATERIALS OF MAIN PARTS

ITEM	PART NAME	MATERIAL	ITEM	PART NAME	MATERIAL
1	Body	Cast Steel (GS-C25/ 1.0619)	11	Gland	Cast Steel
2	Outer Disc	A105 + 13Cr	12	Locktor	Cast Steel
3	Inner Disc	A105 + 13Cr	13	Stem Nut	Steel
4	Disc Cap	A105	14	Hand wheel	KTH330
5	Stem	2Cr13	15	Cap	1035
6	Gasket	Graphite + SS304	16	Bearing Cap	1035
7	Bonnet	Cast Steel	17	Eye Bolt	A193-B7
8	Bolt	A193-B7	18	Nut	A194-2H
9	Nut	A194-2H	19	Pin	1035
10	Packing	Graphite			

### DIMENSION (mm)

DN	L	D	D1	D2	b	f	n-Ød
DN250	730	450	385	345	38	3	12-Ø33
DN300	850	515	450	410	42	4	16-Ø33
DN350	980	580	510	465	46	4	16-Ø36
DN400	1100	660	585	535	50	4	16-Ø39