



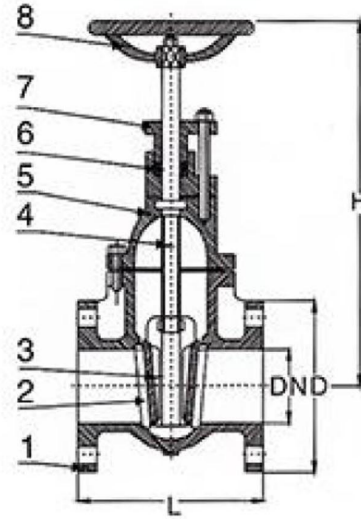
UNIMECH GROUP, MALAYSIA



A MEMBER OF UNIMECH GROUP, MALAYSIA

GATE VALVE FLANGED END PN16 (NON RISING STEM)

ARV-801FE(D)-NR



Technical Data

Features :

- Conforms to BS EN 1171
- Flanged to BS EN1092-2-PN16
- Working Pressure : PN 16
- Test Pressure Shell : 24 kgf/cm²
- Seat : 17.6 kgf/cm²
- Working Temperature : -10 to 120°C

Material

No	PART	MATERIAL
1	BODY	CAST IRON
2	BONNET	CAST IRON
3	STEM	STAINLESS STEEL
4	DISC	CAST IRON
5	SEAT RING	CAST BRONZE STAINLESS STEEL
6	GLAND	DUCTILE IRON
7	PACKING	NON ASBESTOS
8	HANDWHEEL	CAST IRON

Dimension in mm

SIZES	1.1/2"	2"	2.1/2"	3"	4"	5"	6"	8"	10"	12"
DN	40	50	65	80	100	125	150	200	250	300
L	165	178	190	203	229	254	267	292	330	356
H	245	252	270	290	365	420	455	575	686	782
D	150	165	185	200	220	250	285	340	405	460

Note :

1. BS EN 1171 is equivalent to BS 5150
2. BS EN 1092-2 PN16 is equivalent to BS4504 PN16

The contents of this literature are for informative purposes only. Arita is not responsible for suitability or compatibility of these products in relation to system requirement. For specific requirements, consult Arita or its distributors. Arita reserves the right to change or modify product design without prior notice.