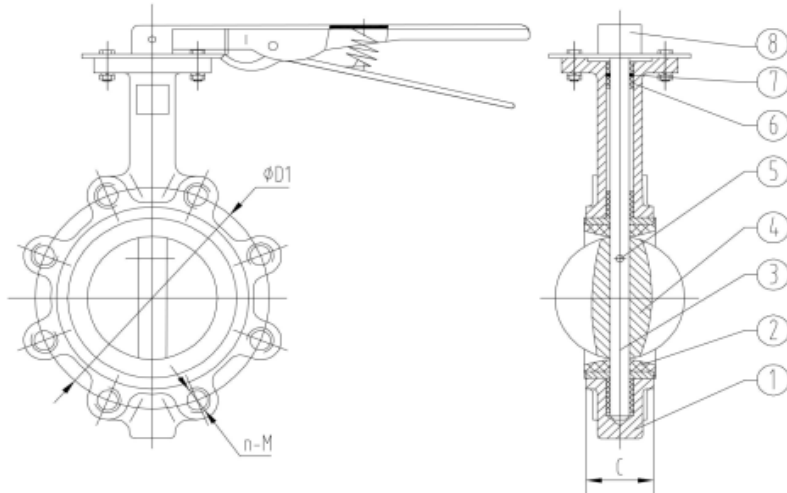


CAST IRON LUG TYPE BUTTERFLY VALVE LEVER JIS10K

Model: CBV-L-J1



Specification Standards

Flange as Standards: JIS10K

Features: Lug type Lever Connections

Test Pressure	Shell Test	2.1	MPa	Test Medium	Water
	Working Pressure	1.6			
Applicable Medium		Water			
Applicable Temperature		< 120°C			

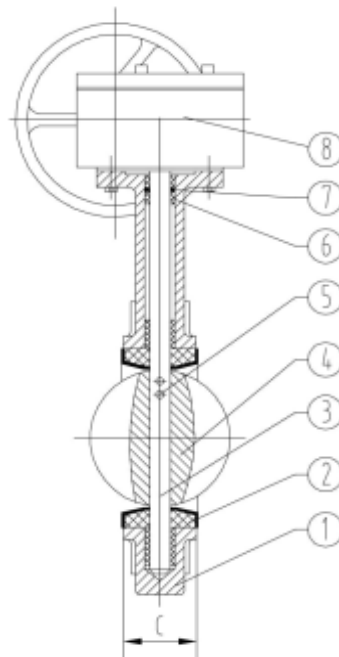
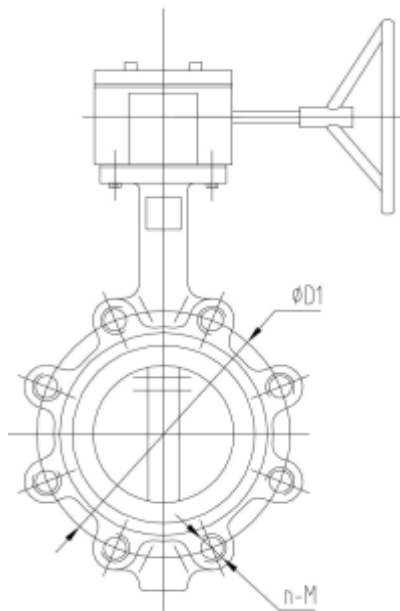
DIMENSIONS

SIZE		C	JIS 10K	
IN	DN		D1	n-Φd1
2"	DN50	42	120	4-Φ16
2 1/2"	DN65	44.7	140	4-Φ16
3"	DN80	45.2	150	8-Φ16
4"	DN100	52.1	175	8-Φ16
5"	DN125	54.4	210	8-Φ20
6"	DN150	55.8	240	8-Φ20

ITEM	PART NAME	MATERIAL
1	BODY	CI
2	SEAT	EPDM
3	SHAFT	SS416
4	DISC	CF8M
5	PIN	SS316
6	BUSHING	POLYMERS
7	O RING	NBR
8	LEVER	CAST IRON

CAST IRON LUG TYPE BUTTERFLY VALVE GEAR OPERATOR JIS10K

Model: CBV-G-J1



Specification Standards

Flange as Standards: JIS10K

Features: Lug type Gear Operator Connections

Test Pressure	Shell Test	2.1	MPa	Test Medium	Water
	Working Pressure	1.6			
Applicable Medium		Water			
Applicable Temperature		< 120°C			

DIMENSIONS

SIZE		C	JIS 10K	
IN	DN		D1	n- Φ d1
8"	DN200	60.6	290	12- Φ 20
10"	DN250	65.6	355	12- Φ 22
12"	DN300	76.9	400	16- Φ 20

ITEM	PART NAME	MATERIAL
1	BODY	CI
2	SEAT	EPDM
3	SHAFT	SS416
4	DISC	CF8M
5	PIN	SS316
6	BUSHING	POLYMERS
7	O RING	NBR
8	LEVER	CAST IRON