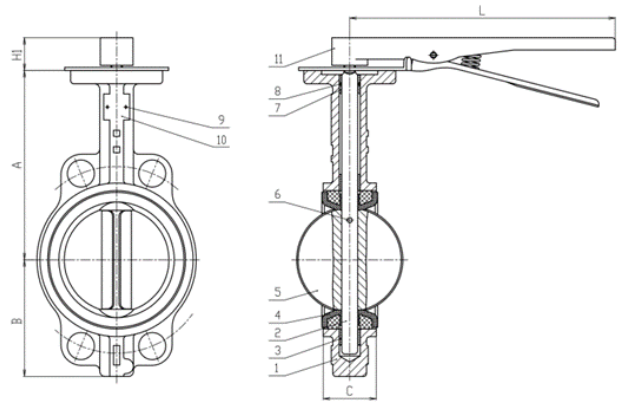


CAST IRON BUTTERFLY VALVE LEVER WAFER TYPE PN16 + LIMIT SWITCH

Model: CBV-L-UF-PN16/ APN-210N



TECHNICAL DATA

SPECIFICATION STANDARDS

Design according to: BS 5155

Face to face standard: Manufacture Standard

Flange end: Universal DIN, BS, JIS, ANSI

Inspection and testing standard: ISO 5208

Nominal pressure: 1.6 MPa

Test pressure shell: 2.4 MPa

Test pressure seal: 1.76 MPa

Working temperature: Max 120°C

Applicable medium: Water

STANDARD MATERIALS OF MAIN PARTS

ITEM	PART NAME	MATERIAL
1	BODY	CAST IRON
2	SHAFT	SS420
3	BUSHING (LONG)	PTFE
4	SEAT	EPDM/ NBR
5	DISC	CF8/ CF8M
6	TAPER PIN	SS316
7	BUSHING (SHORT)	PTFE
8	RING	EPDM
9	PLATE RIVET	ALUMINIUM
10	PLATE	ALUMINIUM
11	HANDLEVER	DUCTILE IRON

DIMENSION (mm)

DN	A	B	C	H1	L
DN40	136	69	32	24	220
DN50	156	80	42.04	24	220
DN65	162	89	44.68	24	220
DN80	170	95	45.21	24	220
DN100	185	114	52.07	28	250
DN125	207	127	54.36	28	260
DN150	216	139	55.75	28	260
DN200	256	175	60.58	34	350