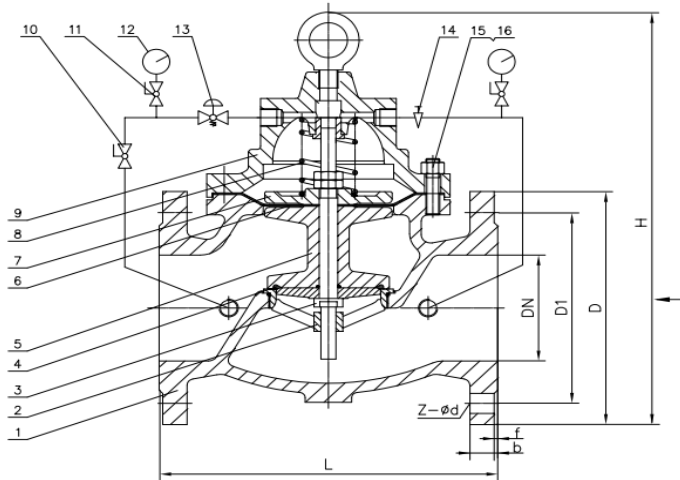


CAST STEEL PRESSURE REDUCING VALVE PN25

Model: PPRV-W



Technical Data

STANDARD MATERIALS OF MAIN PARTS

NO	NAME	MATERIAL	NO	NAME	MATERIAL
1	Body	WCB	9	Bonnet	WCB
2	Seat	WCB	10	Ball valve	SS304
3	Stem	13Cr	11	Ball valve	SS304
4	O-Ring	NBR	12	Gauges	SS304
5	Disc	WCB	13	Guide valve	SS304
6	Diaphragm	Nylon	14	Needle valve	SS304
7	Gland	SS304	15	Stud	SS304
8	Spring	SS304	16	Nut	SS304

- 1: Design and Manufacture: DIN 3356
- 2: Face to face Dimension: 3302
- 3: Flange End: DIN 2543
- 4: Inspection and Test: DIN 3230
- 5: Epoxy Coating Body

TECHNICAL SPECIFICATION			
TEST	Pressure	PN25	MPa
	Seal Test	2.75	
	Gas Seal Test	0.6	
Applicable Medium		Water	
Applicable Temperature		Max 80°C	

DIMENSIONS

DN	L	D	D1	D2	b	f	n-Φd
DN50	203	165	125	100	22	3	4-Φ18
DN65	212	185	145	120	24	3	8-Φ18
DN80	235	200	160	135	24	3	8-Φ18
DN100	265	235	190	155	26	3	8-Φ22
DN125	295	270	220	185	28	3	8-Φ26
DN150	335	300	250	210	28	3	8-Φ26
DN200	382	360	310	275	30	3	12-Φ26
DN250	470	425	370	330	32	3	12-Φ30
DN300	510	485	430	390	32	4	16-Φ30