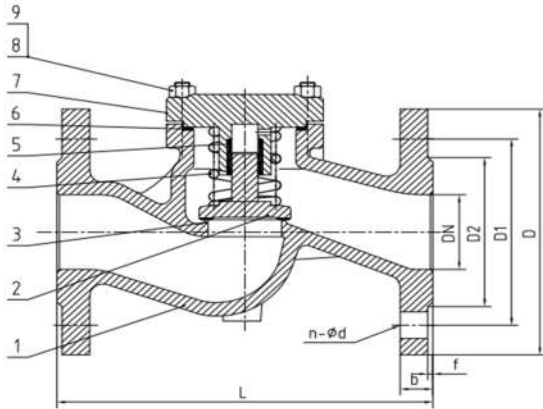


CAST STEEL LIFT CHECK VALVE PN40

Model: CSC-S-PN40



Remarks: DN15- DN50, Disc: 13Cr
Above size DN65, Disc: A105+13Cr

Technical Data

STANDARD MATERIALS OF MAIN PARTS

| NO | NAME | MATERIAL |
|----|--------|------------------------|
| 1 | Body | Cast Steel |
| 2 | Disc | A105+13Cr |
| 3 | Seat | 304 |
| 4 | Spring | 304 |
| 5 | Sleeve | 13Cr |
| 6 | Gasket | Flexibel graphite +304 |
| 7 | Bolt | A193-B7 |
| 8 | Nut | A194-2H |
| 9 | Bonnet | GS-C25 |

Specification Standards:

| |
|----------------------------------------------|
| Design Standard: DIN3356 |
| Face to face demension: DIN3203 |
| Flange End: DIN2543-DN2545 |
| Test & inspection: DIN3230 |
| Working Pressure: 40 Kgf/cm ² |
| Test Pressure Shell: 60 Kgf/cm ² |
| Seat: 44 Kgf/cm ² |
| Working Temperature: -29 - 425°C |
| Applicable Medium: Water, Steam, Air, etc... |

DIMENSIONS: (mm)

| DN | L | D | D1 | D2 | b | f | n-Φd |
|-------|-----|-----|-----|-----|----|---|--------|
| DN15 | 130 | 95 | 65 | 45 | 14 | 2 | 4-Φ14 |
| DN20 | 150 | 105 | 75 | 58 | 16 | 2 | 4-Φ14 |
| DN25 | 160 | 115 | 85 | 68 | 16 | 2 | 4-Φ14 |
| DN32 | 180 | 140 | 100 | 78 | 18 | 2 | 4-Φ18 |
| DN40 | 200 | 150 | 110 | 88 | 18 | 3 | 4-Φ18 |
| DN50 | 230 | 165 | 125 | 102 | 20 | 3 | 4-Φ18 |
| DN65 | 290 | 185 | 145 | 122 | 20 | 3 | 8-Φ18 |
| DN80 | 310 | 200 | 160 | 138 | 22 | 3 | 8-Φ18 |
| DN100 | 350 | 220 | 180 | 158 | 22 | 3 | 8-Φ22 |
| DN125 | 400 | 250 | 210 | 188 | 22 | 3 | 8-Φ26 |
| DN150 | 480 | 285 | 240 | 212 | 24 | 3 | 8-Φ26 |
| DN200 | 600 | 340 | 295 | 268 | 24 | 3 | 12-Φ30 |