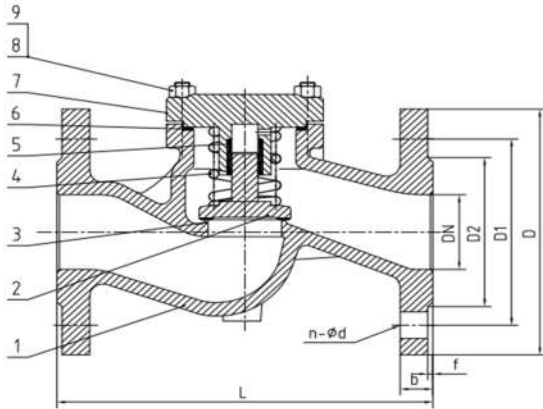


CAST STEEL LIFT CHECK VALVE PN16

Model: CSC-S-PN16



Remarks: DN15- DN50, Disc: 13Cr
Above size DN65, Disc: A105+13Cr

Specification Standards:

Design Standard: DIN3356
Face to face dimension: DIN3203
Flange End: DIN2543-DN2545
Test & inspection: DIN3230
Working Pressure: 16 Kgf/cm ²
Test Pressure Shell: 24 Kgf/cm ²
Seat: 18 Kgf/cm ²
Working Temperature: -29 - 425°C
Applicable Medium: Water, Steam, Air, etc...

Technical Data

STANDARD MATERIALS OF MAIN PARTS

NO	NAME	MATERIAL
1	Body	Cast Steel
2	Disc	A105+13Cr
3	Seat	304
4	Spring	304
5	Sleeve	13Cr
6	Gasket	Flexibel graphite +304
7	Bolt	A193-B7
8	Nut	A194-2H
9	Bonnet	GS-C25

DIMENSIONS: (mm)

DN	L	D	D1	D2	b	f	n-Φd
DN15	130	95	65	45	14	2	4-Φ14
DN20	150	105	75	58	16	2	4-Φ14
DN25	160	115	85	68	16	2	4-Φ14
DN32	180	140	100	78	18	2	4-Φ18
DN40	200	150	110	88	18	3	4-Φ18
DN50	230	165	125	102	20	3	4-Φ18
DN65	290	185	145	122	20	3	4-Φ18
DN80	310	200	160	138	22	3	8-Φ18
DN100	350	220	180	158	22	3	8-Φ18
DN125	400	250	210	188	22	3	8-Φ18
DN150	480	285	240	212	24	3	8-Φ22
DN200	600	340	295	268	24	3	12-Φ22
DN250	730	405	355	320	26	3	12-Φ26
DN300	850	460	410	378	28	3	12-Φ26