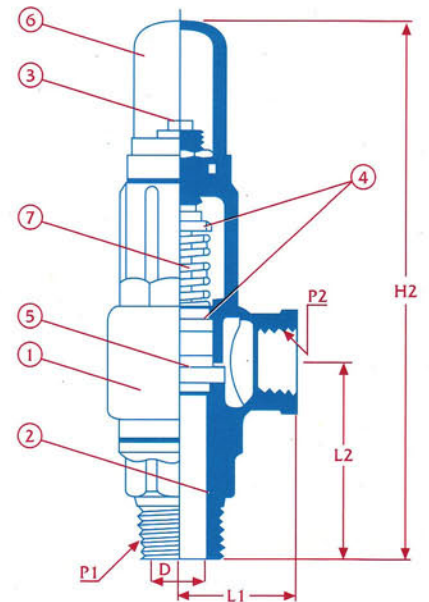
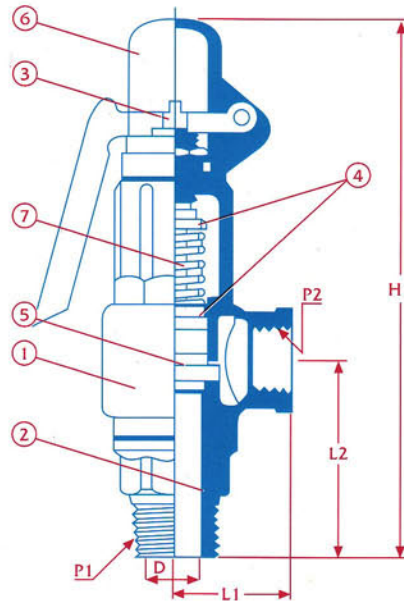


Bronze Safety Valve

A3WL



A3W



Materials

No.	Parts	Materials		Q'TY	Fluid Symbol
		A3W	A3WL		
①	Valve Body	ASTM-B584-C83600	ASTM-B584-C83600	1	Noncorrosive Gas: NG
②	Valve Seat	ASTM-B124-C37700	ASTM-B124-C37700	1	Steam: S
③	Stem	ASTM-B16-C36000	ASTM-B16-C36000	1	Hot Water: HW
④	Spring Seat	ASTM-B16-C36000	ASTM-B16-C36000	2	Noncorrosive Liquid: NL
⑤	Disc	ASTM-B124-C37700	ASTM-B124-C37700	1	
⑥	CAP	ASTM-B584-C83600/ ASTM-B124-C37700	ASTM-B584-C83600/ ASTM-B124-C37700	1	
⑦	Spring	Stainless or Steel	Stainless or Steel	1	
Working pressure:		0.3~10 kg/cm ²	0.3~10 kg/cm ²		
Working temperature:		-45°C~185°C	-45°C~185°C		
Working fluid:		NG•S•HW•NL	NG•S		

Dimensions

mm

Nominal Dia		P1 Inlet	D Seat Dia	P2 Outlet	L1	L2	H1	H2	(kg)	
mm	inch								A3W	A3WL
13	1/2"	1/2"	13	1/2"	32	52	162	140	0.51	0.58
19	3/4"	3/4"	19	3/4"	36	58	172	150	0.63	0.73
25	1"	1"	25	1"	40	71	204	185	1.14	1.29
32	1 1/4"	1 1/4"	32	1 1/4"	52	83	223	208	2.03	2.03
38	1 1/2"	1 1/2"	38	1 1/2"	58	96	252	236	2.6	2.61
50	2"	2"	50	2"	65	103	287	265	3.84	4.10