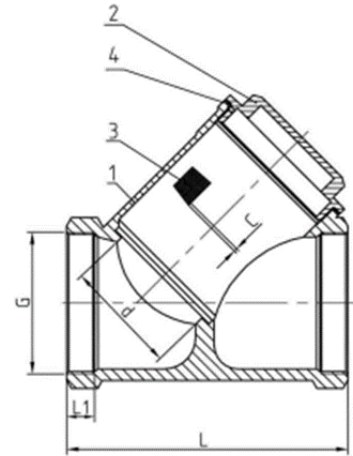


BRASS Y-STRAINER SCREWED END BSPT

Model: ARF-1005SE



TECHNICAL DATA

SPECIFICATION STANDARDS

Design according to: BS 5154

Threaded end according to BSPT Standard, ISO 228, BS21

Test and Inspection EN1266

Nominal pressure: 1.6 MPa

Test pressure shell: 2.4 MPa

Test pressure seal: 1.76 MPa

Working temperature: Max 100°C

Applicable medium: Water, Oil, Gas

STANDARD MATERIALS OF MAIN PARTS

ITEM	PART NAME	MATERIAL
1	BODY	BRASS
2	BONNET	BRASS
3	SCREEN	SS304
4	PACKING GLAND	POLYSALFONE

DIMENSION (mm)

DN	IN	L	L1	d
15	1/2"	55	14	15
20	3/4"	71	15	15
25	1"	80	16	24
32	1 1/4"	90	16	30
40	1 1/2"	101	16	35
50	2"	125	18	44
65 (PN10)	2 1/2"	176	18	55
80 (PN10)	3"	187	19	70
100 (PN10)	4"	205	24	85