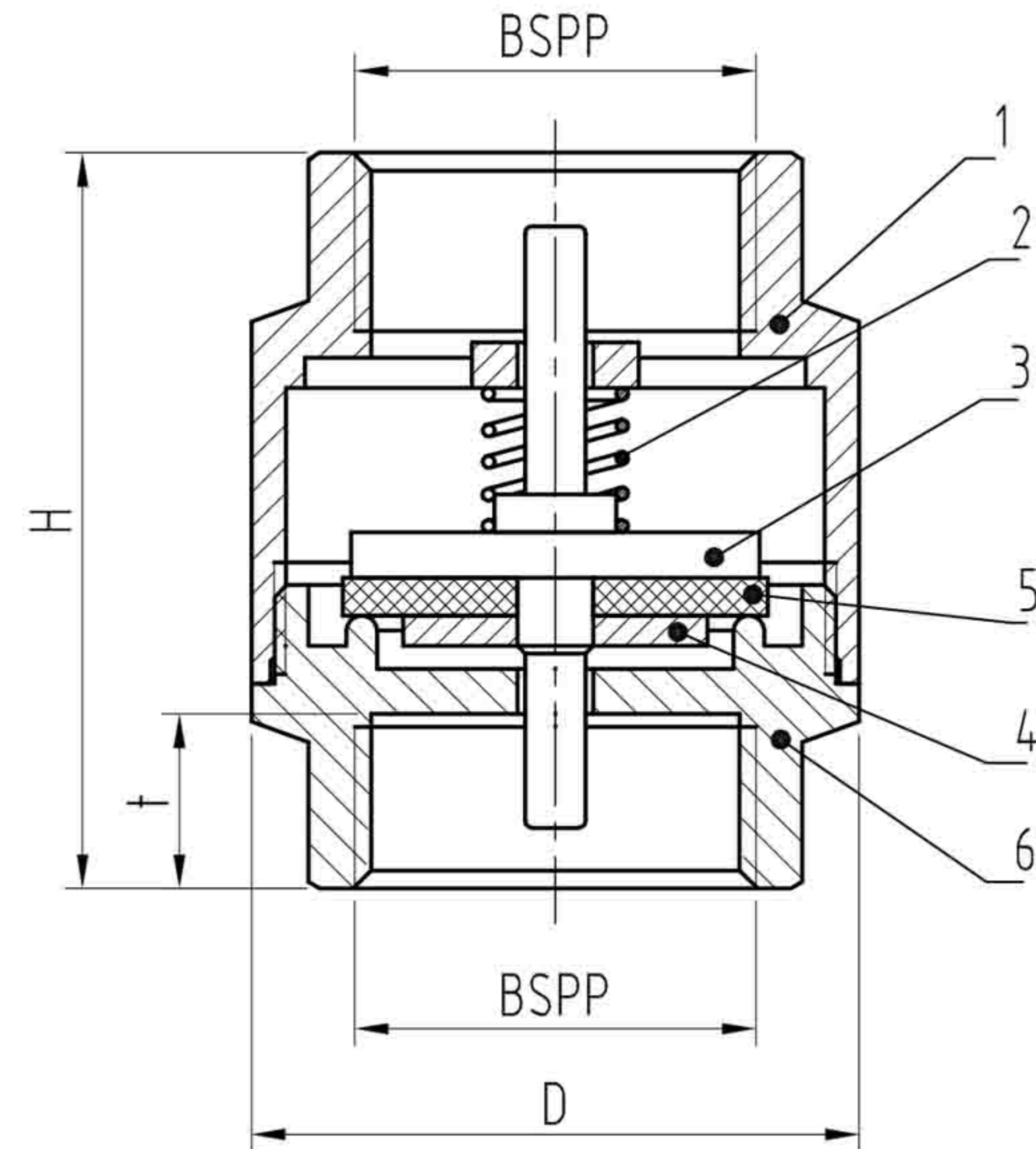


SPRING CHECK VALVE SCREWED END

Model : ARV-1014SE



Technical Data

Specification

Nominal Pressure	1.6 Mpa
Shell Test Pressure	2.4 Mpa
Seat Test Pressure	0.6 Mpa
Applicable Temperature	-20~ 120°C
Applicable Media	Water, Oil, Gas

Material

No	PART	MATERIAL
1	BODY	BRASS
2	SPRING	STAINLESS STEEL
3	PISTON	BRASS
4	SPRING-BOARD	PVC
5	SEAL GASKET	NBR
6	BONNET	BRASS

Dimension in mm

Size	D	t	H	PN	BSPP
1/2"	33.5	11.5	46	16	1/2"
3/4"	40	12.5	49.5	16	3/4"
1"	45.5	15	57	16	1"
1.1/4"	57.5	16	62.5	16	1.1/4"
1.1/2"	67	16	72	16	1.1/2"
2"	80	18	79.5	16	2"
2.1/2"	97.5	22.5	94	16	2.1/2"
3"	111	24.2	101.5	16	3"
4"	140	26	121.7	16	4"