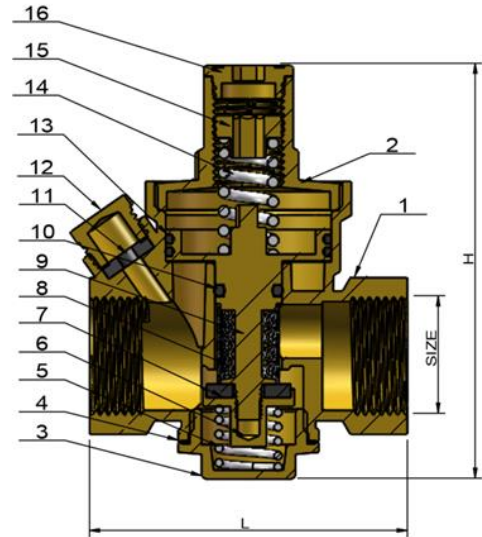


BRASS PRESSURE REDUCING VALVE SCREW END PN16

Model: BPRV200



TECHNICAL DATA

SPECIFICATION STANDARDS

Design according to: GB/T7307

Threaded end according to BSPT Standard, ISO 228, BS21

Nominal pressure: 1.6 MPa

Working temperature: Max 80°C

Applicable medium: Water

DIMENSION (mm)

DN	INCH	H	L
15	½"	93	72
20	¾"	93	72
25	1"	110	78
32	1 ¼"	116	85
40	1 ½"	154	100
50	2"	154	110

STANDARD MATERIALS OF MAIN PARTS

ITEM	PART NAME	MATERIAL
1	BODY	BRASS
2	BONNET	BRASS
3	BOTTOM BONNET	BRASS
4	PACKING GASKET	PTFE
5	SPRING PLATE	SS304
6	DISC	BRASS
7	RUBBER GASKET	NBR
8	NET	SS304
9	AXIS GUIDE	BRASS
10	O-RING	NBR
11	PLUG BONNET	NBR
12	PLUG BONNET	BRASS
13	O-RING	NBR
14	SPRING	SS304
15	TEST PRESSURE BONNET	BRASS
16	PROTEET COVER	BRASS