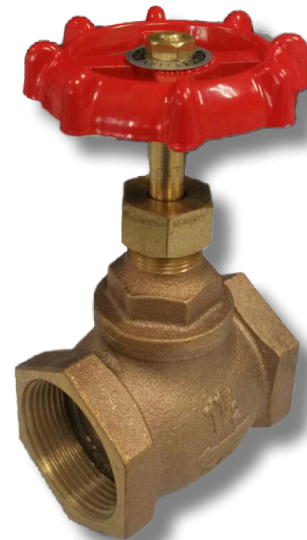
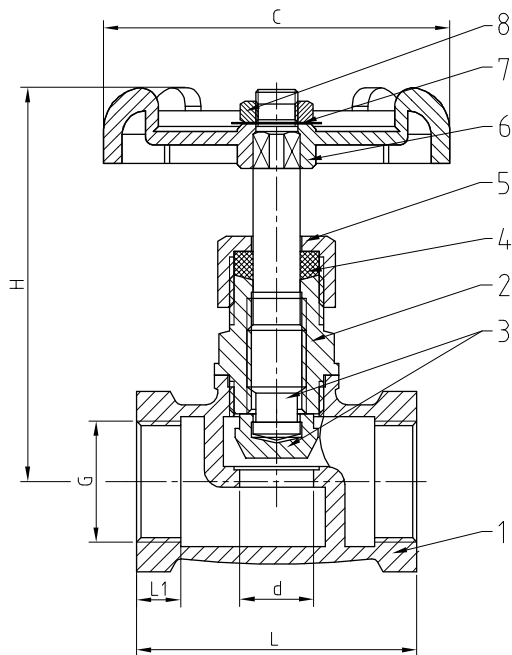


ARITA BRASS GLOBE VALVE

**CLASS 150 GLOBE VALVE (BSPT)**

ARV-1002SE



**STANDARD COMPONENT MATERIAL**

NO	DESCRIPTION	QTY.	MATERIAL
1	Body	1	Brass
2	Bonnet	1	Brass
3	Stem & Disc	1	Brass
4	Stem Packing	1	PTFE
5	Lock Nut	1	Brass
6	Handwheel	1	Aluminium
7	Name Plate	1	Aluminium
8	Wheel Nut	1	Steel

**SPECIFICATIONS**

- Brass body and bonnet
- Screwed end (BSPT)
- Metal seat
- Applicable temperature : -20 ~ 120 ° C
- Applicable media : W.O.G. and steam

**TEST PRESSURE**

Nominal Pressure	:	1.6 MPa
Shell Test Pressure	:	2.4 MPa
Seat Test Pressure	:	1.8 MPa

**DIMENSION TABLE (MM)**

DN	L	L1	d	H	C	G	Weight (Kg)
10	42	7	10	67	55	3/8	0.210
15	47	7.5	12	73	55	1/2	0.235
20	52.5	8	13	80	60	3/4	0.305
025	62	10	20	94	70	1	0.470
32	72.5	13	24	102	70	1-1/4	0.650
40	80	13	32	114	90	1-1/2	1.000
50	93	14	37	123	100	2	1.425