



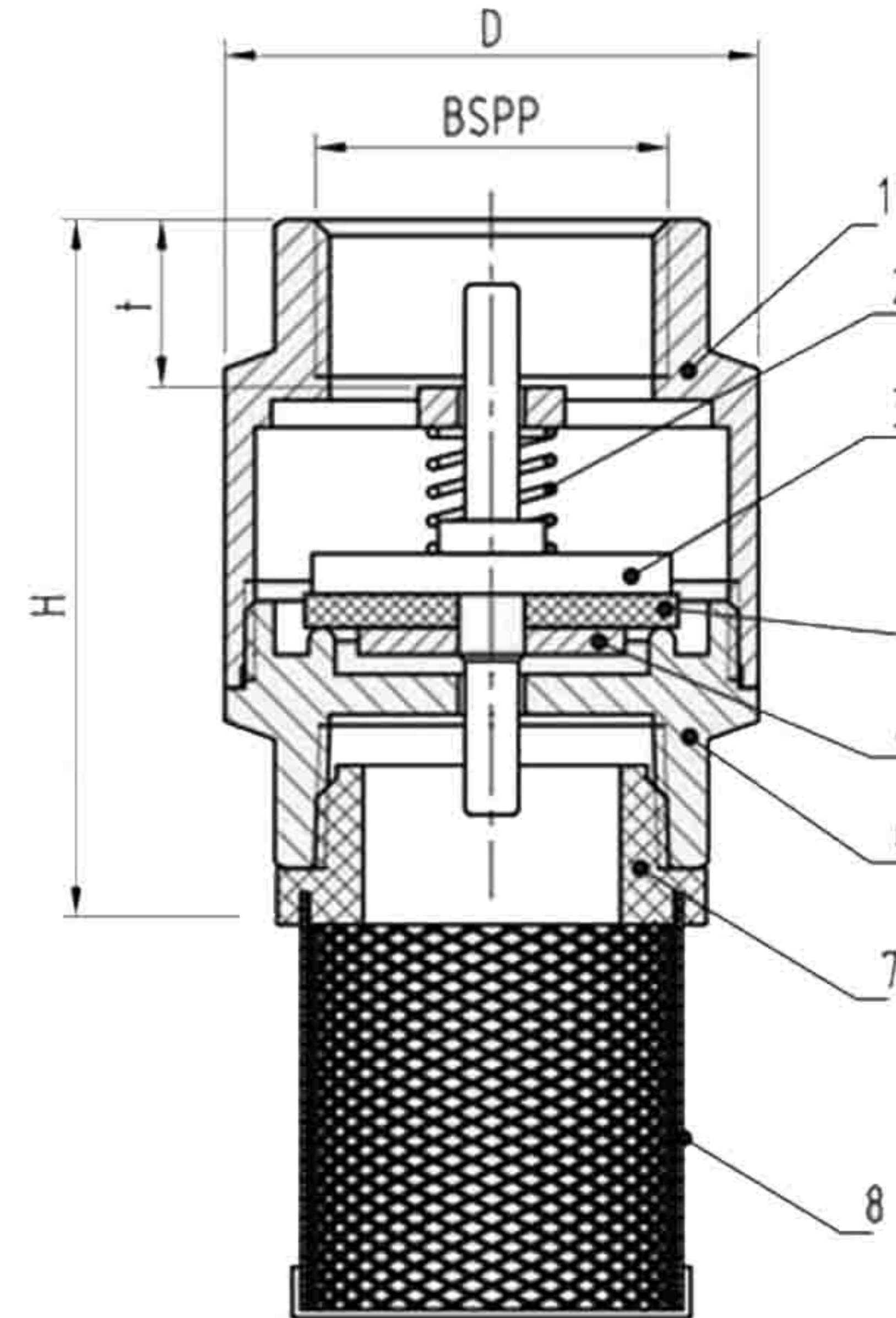
UNIMECH GROUP, MALAYSIA



A MEMBER OF UNIMECH GROUP, MALAYSIA

SPRING CHECK FOOT VALVE SCREWED END

Model : ARV-1014SE(F1)



Technical Data

Specification

Nominal Pressure	1.6 Mpa
Shell Test Pressure	2.4 Mpa
Seat Test Pressure	0.6 Mpa
Applicable Temperature	-20~ 120°C
Applicable Media	Water, Oil, Gas

Material

No	PART	MATERIAL
1	BODY	BRASS
2	SPRING	STAINLESS STEEL
3	PISTON	BRASS
4	SPRING-BOARD	PVC
5	SEAL GASKET	NBR
6	BONNET	BRASS
7	BONNET	ABS
8	FILTER	STAINLESS STEEL

Dimension in mm

Size	D	t	H	PN	BSPP
1/2"	33.5	11.5	46	16	1/2"
3/4"	40	12.5	49.5	16	3/4"
1"	45.5	15	57	16	1"
1.1/4"	57.5	16	62.5	16	1.1/4"
1.1/2"	67	16	72	16	1.1/2"
2"	80	18	79.5	16	2"
2.1/2"	97.5	22.5	94	16	2.1/2"
3"	111	24.2	101.5	16	3"
4"	140	26	121.7	16	4"

The contents of this literature are for informative purposes only. Arita is not responsible for suitability or compatibility of these products in relation to system requirement. For specific requirements, consult Arita or its distributors. Arita reserves the right to change or modify product design without prior notice.