

# SBT THREAD STATIC BALANCING VALVE

## PN25 (DN15-DN50)

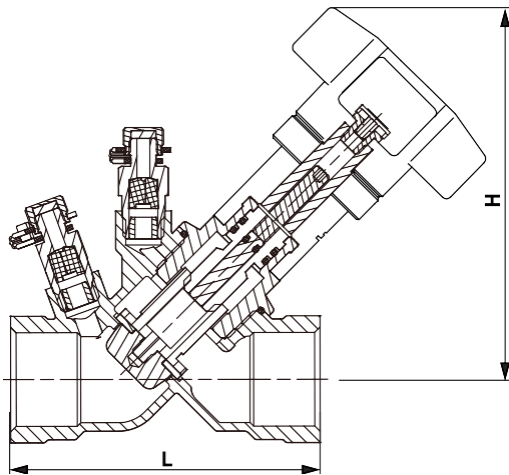


### TECHNICAL DESCRIPTION

- Thread type static balancing valve, numerical indicator of opening rate on the handwheel
- Accurate flow control
- Lockable set position
- Design according to BS 7350
- Testing according to EN 12266-1

### PRESSURE & TEMPERATURE RATINGS

Rating pressure	25bar
Shell test pressure	37.5bar
Seal test pressure	26.5bar
Working temperature	-20°C ~ 120°C



### MATERIAL SPECIFICATION

Part	Material	ASTM. Spec.
Body	Brass	
Disc	Brass	
Shaft	Brass	
Handwheel	ABS	

### DIMENSIONS

Unit:mm

DN	15	20	25	32	40	50
NPS	1/2"	3/4"	1"	1 1/4"	1 1/2"	2"
H	114	116	119	136	138	148
L	80	84	97.5	110	120	150

### FLOW COEFFICIENT

Unit:m³/h

DN	15	20	25	32	40	50
NPS	1/2"	3/4"	1"	1 1/4"	1 1/2"	2"
Kvs	3.88	5.71	8.89	19.45	27.51	38.78