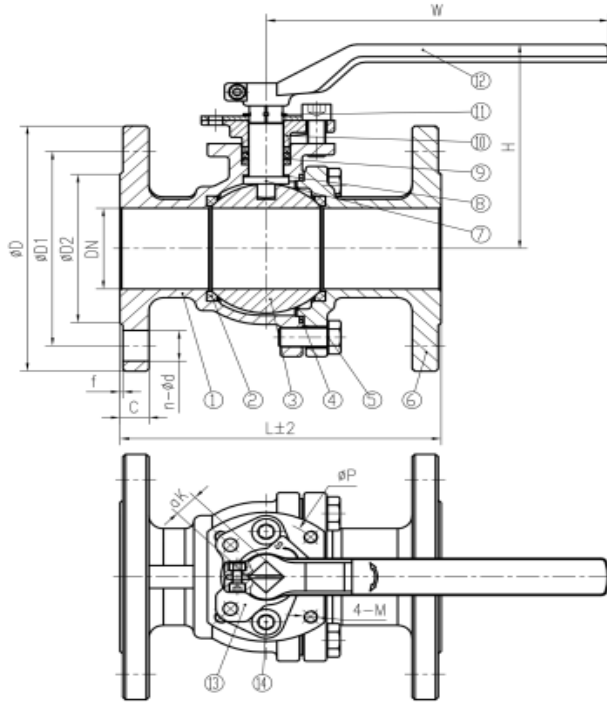


STAINLESS STEEL BALL VALVE JIS10K LEVER

Model: ARV-100FE(J)



| NO | NAME | MATERIAL |
|----|-------------------|-----------------|
| 1 | BODY | CF8/CF8M |
| 2 | SEAT | PTFE |
| 3 | BALL | SS304 |
| 4 | GASKET | PTFE |
| 5 | BOLT | A2-70 |
| 6 | BONNET | A351 CF8 |
| 7 | STEM | 304 |
| 8 | STEM WASHER | PTFE |
| 9 | PACKING | PTFE |
| 10 | GLAND | A351 CF8 |
| 11 | SNAP RING | SS304 |
| 12 | HANDLE | STAINLESS STEEL |
| 13 | STOPPER | SS304 |
| 14 | HEXAGON HEAD BOLT | H62 |

Note:

- 1: Face to face dimensions for valve according to JIS B2002
- 2: End flange dimensions for valve according to JIS B2220
- 3: Inspection and Test for valve according to JIS 2003

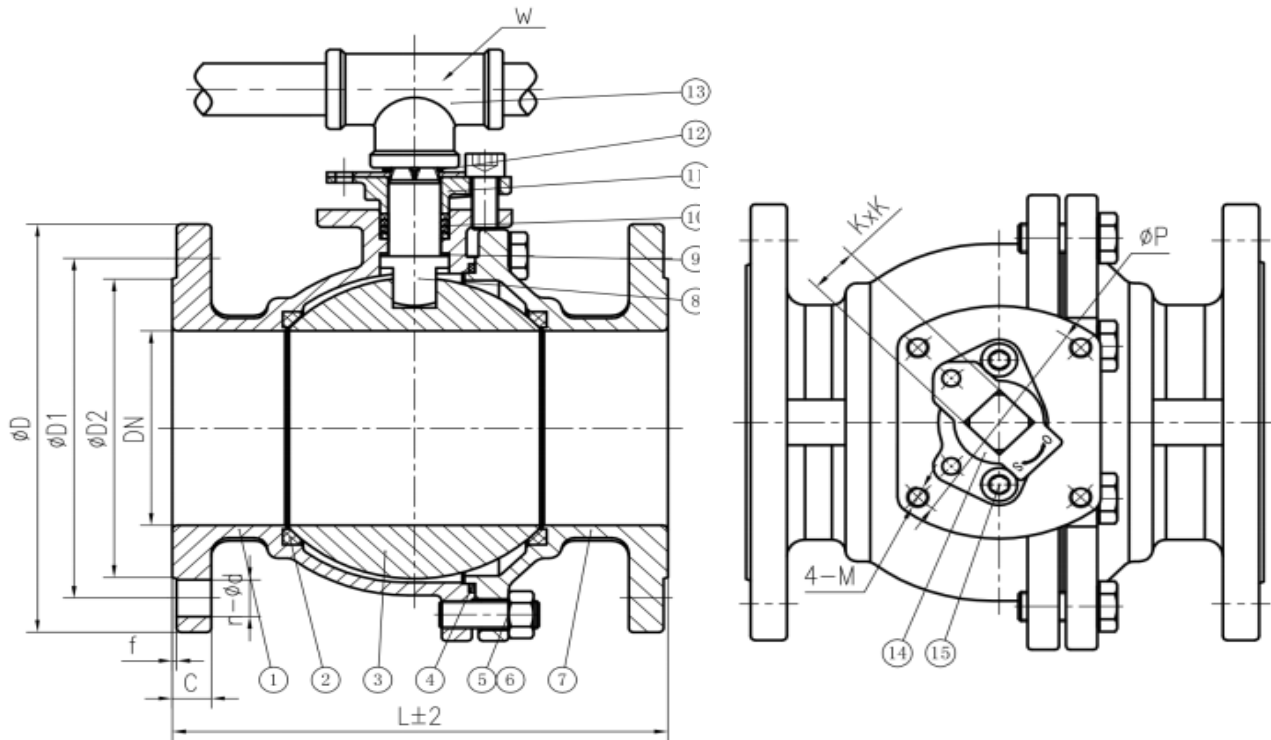
| | | | | | |
|------------------------|------------------|-----------------|-----|-------------|-------|
| Test Pressure | Shell Test | 3.0 | MPa | Test Medium | Water |
| | Working Pressure | 1.6 | | | Air |
| | Gas Seal Test | 0.6 | | | |
| Applicable Medium | | Water, Oil, Gas | | | |
| Applicable Temperature | | -29 - 150°C | | | |

DIMENSIONS

| DN | L | D | D1 | D2 | C | f | n-Φd | W | H | K | P |
|-------|-----|-----|-----|-----|----|---|-------|-----|-----|----|-----|
| DN15 | 108 | 95 | 70 | 52 | 12 | 1 | 4-Φ15 | 130 | 81 | 9 | M5 |
| DN20 | 117 | 100 | 75 | 58 | 14 | 1 | 4-Φ15 | 130 | 84 | 9 | M5 |
| DN25 | 127 | 125 | 90 | 70 | 14 | 1 | 4-Φ19 | 160 | 91 | 11 | M6 |
| DN32 | 140 | 135 | 100 | 80 | 16 | 2 | 4-Φ19 | 160 | 95 | 11 | M6 |
| DN40 | 165 | 140 | 105 | 85 | 16 | 2 | 4-Φ19 | 200 | 118 | 14 | M8 |
| DN50 | 178 | 155 | 120 | 100 | 16 | 2 | 4-Φ19 | 200 | 126 | 14 | M8 |
| DN65 | 190 | 175 | 140 | 120 | 18 | 2 | 4-Φ19 | 240 | 137 | 14 | M8 |
| DN80 | 203 | 185 | 150 | 130 | 18 | 2 | 8-Φ19 | 270 | 162 | 17 | M10 |
| DN100 | 229 | 210 | 175 | 155 | 18 | 2 | 8-Φ19 | 320 | 188 | 17 | M10 |

STAINLESS STEEL BALL VALVE JIS10K LEVER

Model: ARV-100FE(J)



Note:

- 1: Face to face dimensions for valve according to JIS B2002
- 2: End flange dimensions for valve according to JIS B2220
- 3: Inspection and Test for valve according to JIS 2003

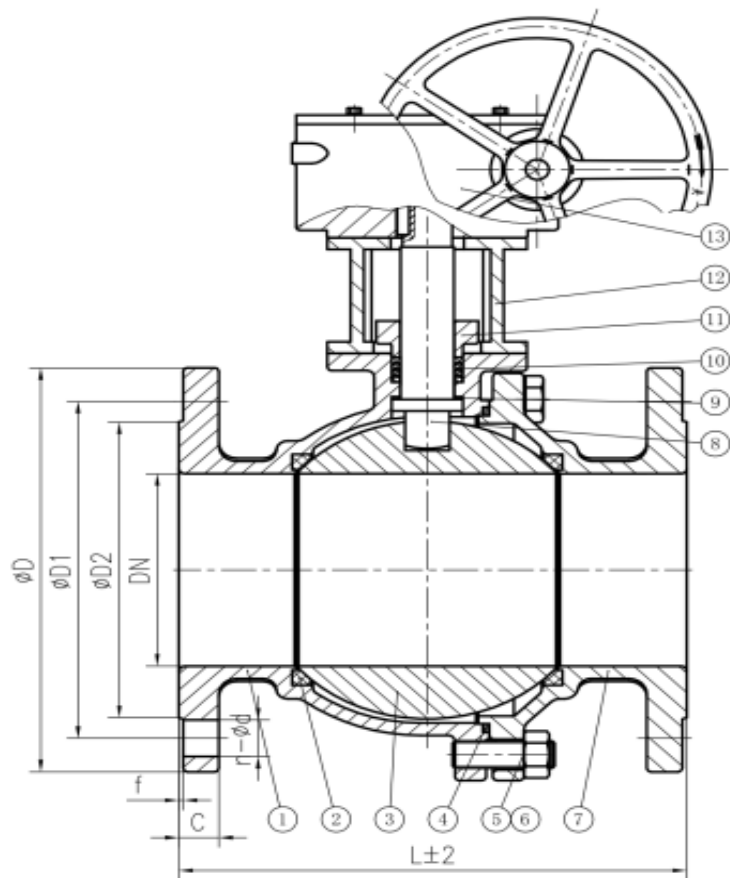
| NO | NAME | MATERIAL |
|----|-------------------|-----------------|
| 1 | BODY | A351 CF8 |
| 2 | SEAT | PTFE |
| 3 | BALL | SS304 |
| 4 | GASKET | PTFE |
| 5 | BOLT | A2-70 |
| 6 | NUT | A2-70 |
| 7 | BONNET | A351 CF8 |
| 8 | STEM | 304 |
| 9 | STEM WASHER | PTFE |
| 10 | PACKING | PTFE |
| 11 | GLAND | A351 CF8 |
| 12 | SNAP RING | SS304 |
| 13 | HANDLE | STAINLESS STEEL |
| 14 | STOPPER | SS304 |
| 15 | HEXAGON HEAD BOLT | A2-70 |

| Test Pressure | Shell Test | 3.0 | MPa | Test Medium | Water |
|------------------------|---------------|-----------------|-----|-------------|-------|
| | Gas Seal Test | 0.6 | | | Air |
| Working Pressure | | 1.6 | | | |
| Applicable Medium | | Water, Oil, Gas | | | |
| Applicable Temperature | | -29 - 150°C | | | |

| DIMENSIONS | | | | | | | | | | | |
|------------|-----|-----|-----|-----|----|---|--------------|-----|-------|-----|-----|
| DN | L | D | D1 | D2 | C | f | n- Φ d | W | KxK | P | M |
| DN125 | 356 | 250 | 210 | 185 | 20 | 2 | 8- Φ 23 | 650 | 27x27 | 102 | M10 |
| DN150 | 394 | 280 | 240 | 215 | 22 | 2 | 8- Φ 23 | 650 | 27x27 | 125 | M15 |

STAINLESS STEEL BALL VALVE JIS10K GEAR BOX

Model: ARV-100FE(J)



| NO | NAME | MATERIAL |
|----|-------------|-----------|
| 1 | BODY | A351 CF8 |
| 2 | SEAT | PTFE |
| 3 | BALL | SS304 |
| 4 | GASKET | PTFE |
| 5 | BOLT | A2-70 |
| 6 | NUT | A2-70 |
| 7 | BONNET | A351 CF8 |
| 8 | STEM | 304 |
| 9 | STEM WASHER | PTFE |
| 10 | PACKING | PTFE |
| 11 | GLAND | A351 CF8 |
| 12 | YOKE | A126 WCB |
| 13 | GEAR BOX | CAST IRON |

Note:

- 1: Face to face dimensions for valve according to JIS B2002
- 2: End flange dimensions for valve according to JIS B2220
- 3: Inspection and Test for valve according to JIS 2003

| | | | | | |
|------------------------|---------------|-----------------|-----|-------------|-------|
| Test Pressure | Shell Test | 3.0 | MPa | Test Medium | Water |
| | Gas Seal Test | 0.6 | | | Air |
| Working Pressure | | 1.6 | | | |
| Applicable Medium | | Water, Oil, Gas | | | |
| Applicable Temperature | | -29 - 150°C | | | |

| DIMENSIONS | | | | | | | |
|------------|-----|-----|-----|-----|----|---|---------------|
| DN | L | D | D1 | D2 | C | f | n- ϕ d |
| DN200 | 457 | 330 | 290 | 265 | 22 | 2 | 12- ϕ 23 |