



UNIMECH GROUP, MALAYSIA



A MEMBER OF UNIMECH GROUP, MALAYSIA

LUG TYPE BUTTERFLY VALVE DIN FLANGED (PIN)

ARV-LLTD4P402210R-



ARV-LLTD4P402211R-

The new body design offers rectilinear esthetic appearance, strength and compatible flange connection to international standards. Its top flange is designed to ISO 5211 for the direct mounting of gear operator or actuators which eliminate the cost of mounting bracket. The lug style design allows the valve to be installed between two flanges by using a separate set of bolts on each side of flange. The body is epoxy coated for better resistant against abrasion and corrosion. Arita offers various materials for the valves seat and disc to meet the various requirements of customers. The fine finishing of seat surfaces and the polished edge of disc give good sealing and reduction in operating torque.



 ISO 9001:2000 CERTIFICATE NO. 0436-2002-AQ-RGC-RVA	 Pressure accessory CERTIFICATE NO. 03-SKM-PED-B1-296225-00	 CE Notified Body No. 0576 CERTIFICATE NO. PED-D-59	 Det Norske Veritas Rules for Classification of Ships Det Norske Veritas Standards for Certification 2.5 No.3-204, 01 CERTIFICATE NO. P-12513	 SIRIM BS EN 593:2004 PA046601
---	---	---	---	--

Dimension in mm (DIN2501 PN10/16 ; EN1092-2 PN10/16)

SIZES		A	B	C	ØD1	ØD2		N x M		a°		ØE1	n x ØE2	ØE3	ØE4	TORQUE (Nm)		Cv	WT. (KG)
DN	In.					PN 10	PN 16	PN 10	PN 16	PN 10	PN 16					PN 10	PN 16		
50	2	241	161	42.0	52.9	125	125	4 x M16	4 x M16	45.00	45.00	50	4 x Ø7	65	35	14	15	29	3.3
65	2 1/2	264	175	44.7	64.5	145	145	4 x M16	4 x M16	45.00	45.00	50	4 x Ø7	65	35	15	17	53	3.3
80	3	276	181	45.2	78.8	160	160	8 x M16	8 x M16	22.50	22.50	50	4 x Ø7	65	35	22	23	82	4.3
100	4	314	200	52.1	104.1	180	180	8 x M16	8 x M16	22.50	22.50	70	4 x Ø10	90	55	37	40	129	5.0
125	5	340	213	54.4	123.3	210	210	8 x M16	8 x M16	22.50	22.50	70	4 x Ø10	90	55	58	62	210	7.4
150	6	365	226	55.8	155.6	240	240	8 x M20	8 x M20	22.50	22.50	70	4 x Ø10	90	55	94	102	304	8.9
200	8	435	260	60.6	202.5	295	295	8 x M20	12 x M20	22.50	15.00	102	4 x Ø12	125	70	174	192	537	14.7
250	10	495	292	65.6	250.5	350	355	12 x M20	12 x M24	15.00	15.00	102	4 x Ø12	125	70	286	323	782	26.8
300	12	579	337	76.9	301.6	400	410	12 x M20	12 x M24	15.00	15.00	102	4 x Ø12	125	70	429	490	1161	40.0
350	14	635	368	75.0	333.5	460	470	16 x M20	16 x M24	11.25	11.25	102	4 x Ø12	125	70	550	625	1564	56.0

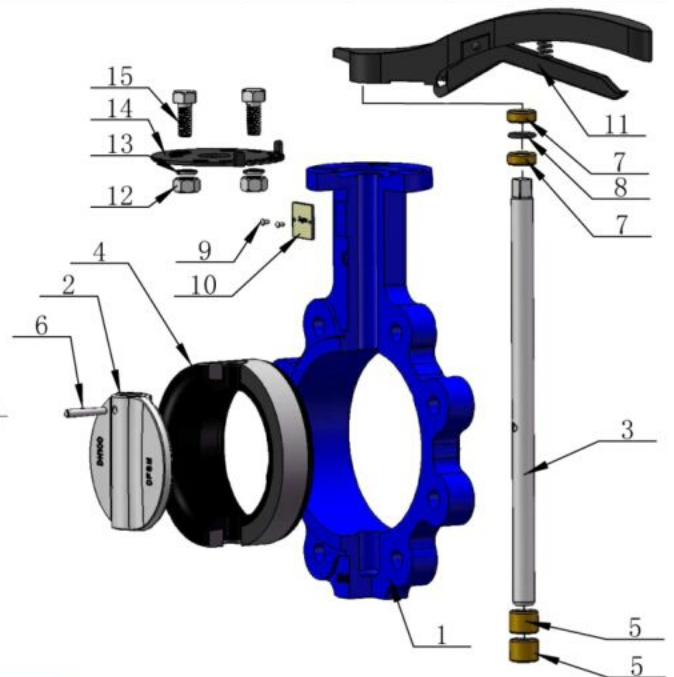
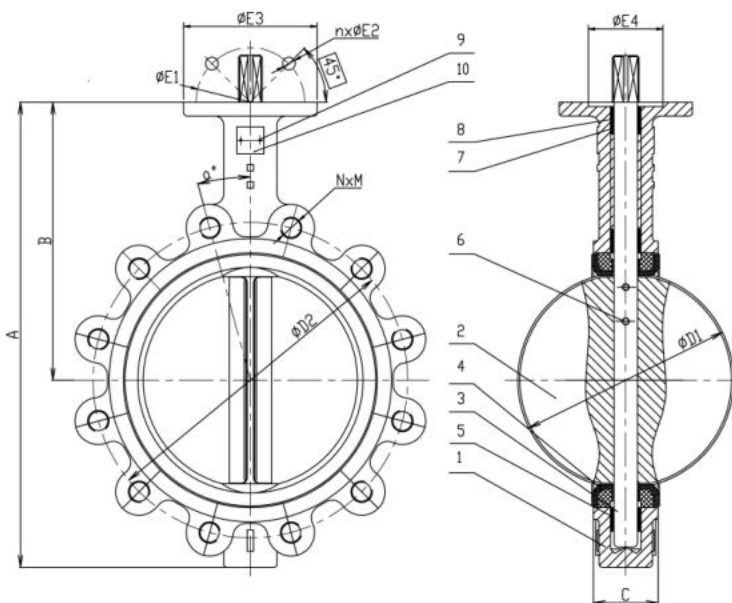
Note : Cv = US Gallon per minutes

Pressure Test

Working Pressure	1.0 MPa	1.6 MPa	10K	ANSI 125		ANSI 150
SIZE	2"-40"	2"-24"		2"-12"	14"-24"	2"-12"
Hydrostatic Test	Seal 1.1 MPa Body 1.5 MPa	1.76 MPa 2.4 MPa	1.54 MPa 2.1 MPa	1.52 MPa 2.1 MPa	1.14 MPa 1.55 MPa	2.2 MPa 3.0 MPa

Working Temperature

Temperature °C	-10 ~ 80	-15 ~ 140	-20 ~ 150	-20 ~ 180
Seat Material	NBR	EPDM	VITON	PTFE



Materials

No.	PART	QTY.	MATERIAL
1	BODY	1	GG-20 / GGG-40
2	DISC	1	DUCTILE IRON/COATING NYLON/PTFE/NICKEL BRONZE/G-X6CrNi18-9/G-X6CrNiMo18-10/POLISHED
3	STEM	1	X12CrS13 / X5CrNiMo17-12-2
4	SEAT	1	PTFE / NBR / EPDM / VITON
5	BUSHING	2	PTFE
6	PIN	1-3	X12CrS13 / X5CrNiMo17-12-2
7	BUSHING	2	PTFE
8	O-RING	1	NBR / EPDM / VITON
9	RIVET	2	ALUMINIUM
10	NAMEPLATE	1	ALUMINIUM
11	HANDLE	1	EPOXY COATING / DUCTILE IRON
12	NUT	2	CARBON STEEL
13	SPRING WASHER	2	SPRING STEEL
14	INDICATOR	1	ELECTRO-PLATING / EPOXY COATING
15	WASHER	2	CARBON STEEL
16	BOLT	2	CARBON STEEL

Standard:

Design Standard	: BS EN593
Face to Face	: BS EN558-1 / ISO5752 / JIS B2002
Flange Connection	: EN1092-2 PN10/16 ; DIN2501 PN10/16 ; BS4504 PN10/16.
Top Flange	: ISO 5211
Test Standard	: BS EN12266-1 / API 598

The contents of this literature are for informative purposes only. Arita is not responsible for suitability or compatibility of these products in relation to system requirement. For specific requirements, consult Arita or its distributors. Arita reserves the right to change or modify product design without prior notice.



Dimension in mm (DIN2501 PN10/16 ; EN1092-2 PN10/16)

SIZES		A	B	C	ØD1	ØD2		n x M		a°	ØE1	n x ØE2	ØE3	ØE4	TORQUE (Nm)		Cv	WT. (KG)
DN	In.					PN 10	PN 16	PN 10	PN 16						PN 10	PN 16		
400	16	709	400	85.7	389.6	515	525	16 x M24	16 x M27	11.25	140	4 x Ø18	175	100	755	846	2087	98.0
450	18	750	422	104.6	440.5	565	585	20 x M24	20 x M27	9.00	140	4 x Ø18	175	100	1012	1131	2681	122.0
500	20	840	480	130.3	491.6	620	650	20 x M24	20 x M30	9.00	140	4 x Ø18	175	100	1350	1431	3350	202.0
600	24	1022	562	151.4	592.5	725	770	20 x M27	20 x M33	9.00	165	4 x Ø23	210	130	2111	2301	4907	230.0
700	28	1144	624	163.0	695.0	840		24 x M27		7.50	254	8 x Ø18	300	200	3272		6664	327.0

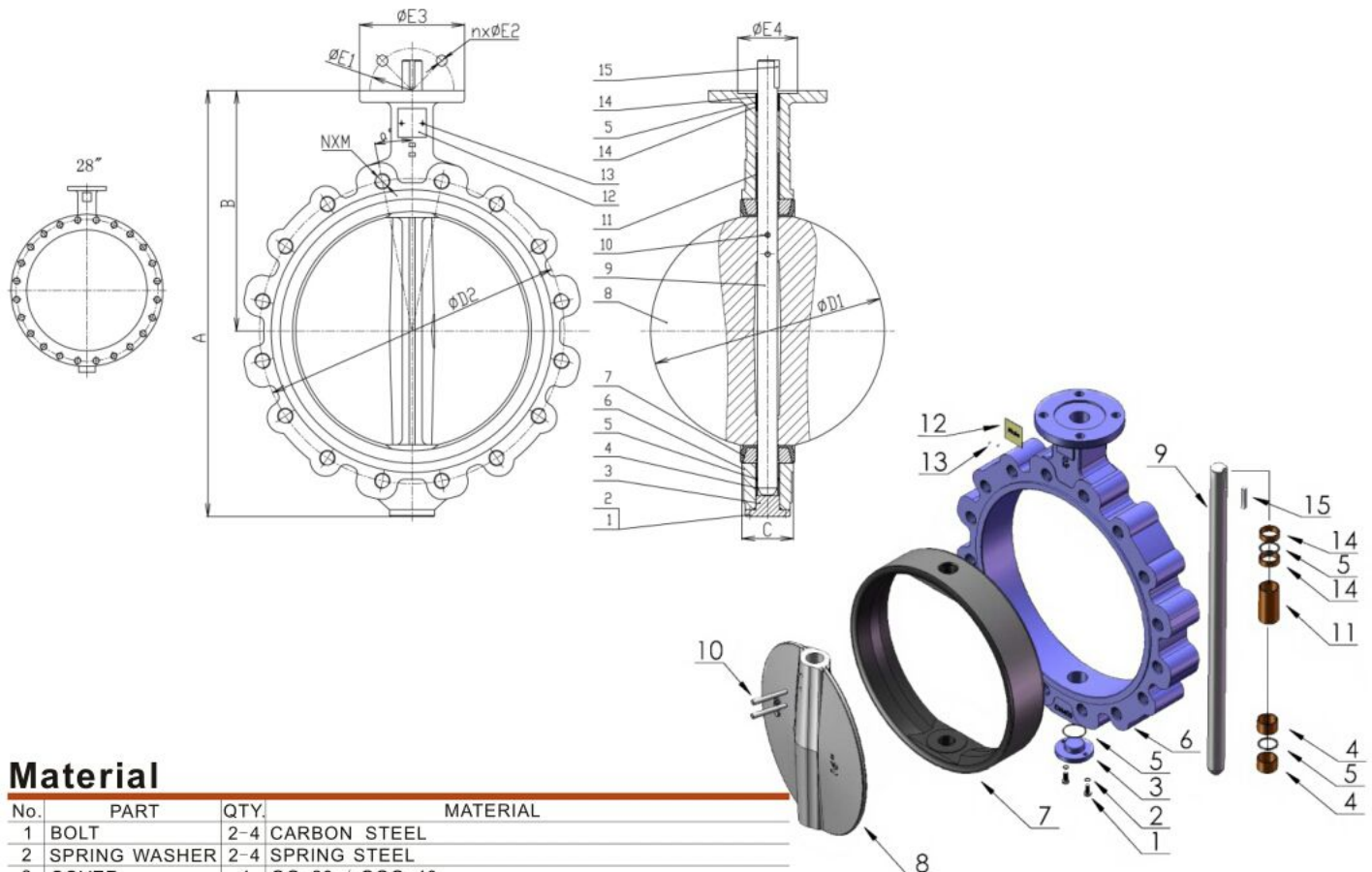
Note : Cv = US Gallon per minutes

Pressure Test

Working Pressure	1.0 MPa	1.6 MPa	10K	ANSI 125		ANSI 150
SIZE	2"-40"	2"-24"	2"-12"	2"-12"	14"-24"	2"-12"
Hydrostatic Test	Seal 1.1 MPa Body 1.5 MPa	1.76 MPa 2.4 MPa	1.54 MPa 2.1 MPa	1.52 MPa 2.1 MPa	1.14 MPa 1.55 MPa	2.2 MPa 3.0 MPa

Working Temperature

Temperature °C	-10 ~ 80	-15 ~ 140	-20 ~ 150	-20 ~ 180
Seat Material	NBR	EPDM	VITON	PTFE



Material

No.	PART	QTY.	MATERIAL
1	BOLT	2-4	CARBON STEEL
2	SPRING WASHER	2-4	SPRING STEEL
3	COVER	1	GG-20 / GGG-40
4	BUSHING	2	PTFE / BRONZE
5	O RING	3	NBR / EPDM / VITON
6	BODY	1	GG-20 / GGG-40
7	SEAT	1	NBR / EPDM / VITON
8	DISC	1	DUCTILE IRON / COATING NYLON / PTFE / NICKEL BRONZE / G-X6CrNi18-9 / G-X6CrNiMo18-10 / POLISHED
9	STEM	1	X12CrS13 / X5CrNiMo17-12-2 / X20Cr13
10	TAPPER PIN	2	X12CrS13 / X5CrNiMo17-12-2
11	BUSHING	1	PTFE / BRONZE
12	NAMEPLATE	1	ALUMINIUM
13	RIVET	2	ALUMINIUM
14	BUSHING	2	PTFE / BRONZE
15	KEY	1	CARBON STEEL

Standard:

Design Standard	: BS EN593
Face to Face	: BS EN558-1 / ISO5752 / JIS B2002
Flange Connection	: EN1092-2 PN10/16 ; DIN2501 PN10/16 ; BS4504 PN10/16.
Top Flange	: ISO 5211
Test Standard	: BS EN12266-1 / API 598



A MEMBER OF UNIMECH GROUP, MALAYSIA

The contents of this literature are for informative purposes only. Arita is not responsible for suitability or compatibility of these products in relation to system requirement. For specific requirements, consult Arita or its distributors. Arita reserves the right to change or modify product design without prior notice.

Dimension in mm (DIN2501 PN10 ; EN1092-2 PN10)

SIZES		A	B	C	ØD1	ØD2	N x M	a°	ØE1	ØE2	ØE3	ØE4	TORQUE (Nm)	Cv	WT. (KG)
DN	In.														
800	32	1263	672	188	794.7	950	24 x M30	7.500	254	18	300	200	4308	8799	415.0
900	36	1376	720	203	864.7	1050	28 x M30	6.430	254	18	300	200	5257	11232	586.0
1000	40	1522	800	216	965.0	1160	28 x M33	6.430	254	18	300	200	8926	13963	760.0
1100	44	1686	883	251	1080.0	1270	32 x M33	5.625	254	18	300	200	10050	16922	960.0
1200	48	1805	941	276	1160.6	1380	32 x M36	5.625	298	22	350	230	12580	19967	1152.0

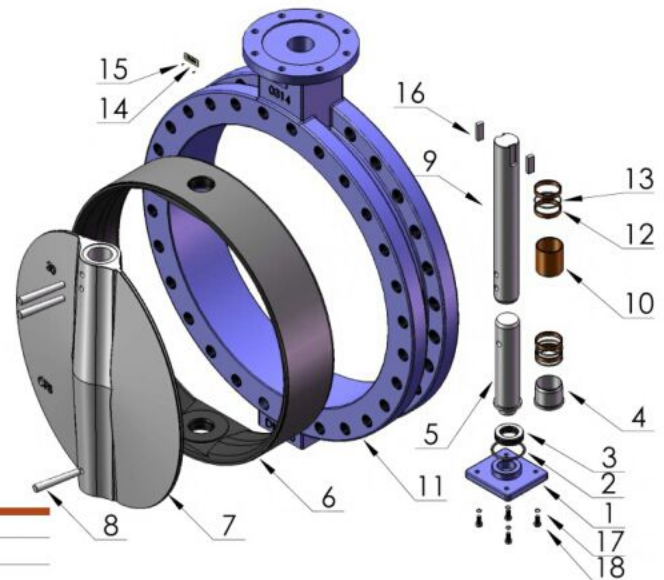
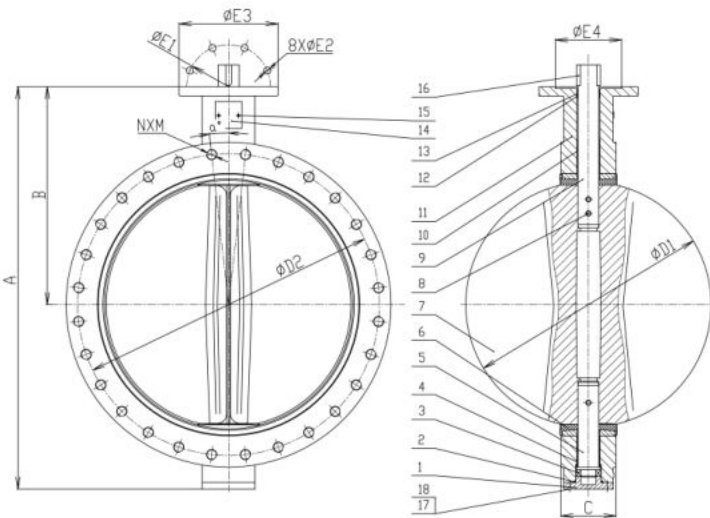
Note : Cv = US Gallon per minutes

Pressure Test

Working Pressure	1.0 MPa	1.6 MPa	10K	ANSI 125		ANSI 150
SIZE	2"-40"	2"-24"		2"-12"	14"-24"	2"-12"
Hydrostatic Test	Seal 1.1 MPa Body 1.5 MPa	1.76 MPa 2.4 MPa	1.54 MPa 2.1 MPa	1.52 MPa 2.1 MPa	1.14 MPa 1.55 MPa	2.2 MPa 3.0 MPa

Working Temperature

Temperature °C	-10 - 80	-15 - 140	-20 - 150	-20 - 180
Seat Material	NBR	EPDM	VITON	PTFE



Material

No.	PART	QTY.	MATERIAL
1	COVER	1	GG-20 / GGG-40
2	LOWER 'O' RING	1	NBR / EPDM / VITON
3	BEARING	1	BEARING STEEL
4	BUSHING	1	BRONZE
5	LOWER STEM	1	X12CrS13 / X5CrNiMo17-12-2 / X20Cr13
6	SEAT	1	NBR / EPDM / VITON
7	DISC	1	DUCTILE IRON/COATING NYLON/PTFE/NICKEL BRONZE/G-X6CrNi18-9/G-X6CrNiMo18-10/POLISHED
8	TAPER PIN	3	X12CrS13 / X5CrNiMo17-12-2
9	UPPER STEM	1	X12CrS13 / X5CrNiMo17-12-2 / X20Cr13
10	BUSHING	1	PTFE / BRONZE
11	BODY	1	GG-20 / GGG-40
12	BUSHING	4	PTFE / BRONZE
13	'O' RING	3	NBR / EPDM / VITON
14	NAMEPLATE	1	ALUMINIUM
15	RIVET	2	ALUMINIUM
16	KEY	2	CARBON STEEL
17	BOLT	4	CARBON STEEL
18	SPRING WASHER	4	SPRING STEEL

Standard:

Design Standard	: BS EN593
Face to Face	: BS EN558-1 / ISO5752 / JIS B2002
Flange Connection	: EN1092-2 PN10/16 ; DIN2501 PN10/16 ; BS4504 PN10/16.
Top Flange	: ISO 5211
Test Standard	: BS EN12266-1 / API 598

The contents of this literature are for informative purposes only. Arita is not responsible for suitability or compatibility of these products in relation to system requirement. For specific requirements, consult Arita or its distributors. Arita reserves the right to change or modify product design without prior notice.



A MEMBER OF UNIMECH GROUP, MALAYSIA

©2010 Arita Valve ARV-WLTD4P402210H- 09/10

ARITA is a registered trade mark of Unimech Group, Malaysia.